

# Installation Guide

HKD 11 R

©2023

**BRUNNER**<sup>®</sup>  
*made in germany.*

---

# CONTENTS

<b>1</b>	<b>Basic informations.....</b>	<b>3</b>
<b>2</b>	<b>Product description.....</b>	<b>4</b>
<b>3</b>	<b>Delivery contents.....</b>	<b>4</b>
<b>4</b>	<b>Description of parts.....</b>	<b>5</b>
4.1	Body.....	5
4.2	Fireplace door.....	6
4.3	Fireclay lining HKD 10/11 right.....	9
4.4	Installation frame.....	10
4.5	Door frame.....	10
<b>5</b>	<b>Setup of HKD 11 right.....</b>	<b>11</b>
5.1	Assembly of the outside air supply.....	11
5.2	Installation of the flue gas nozzle.....	13
5.3	Installation of the spacer ring for MAS.....	14
5.4	Assembly of the combustion chamber with fireclay lining.....	14
5.5	Installation of the mounting frame.....	17
5.6	Installation of the door frame.....	18
<b>6</b>	<b>Adjustments of HKD 11 right.....</b>	<b>20</b>
6.1	Adjusting of combustion air.....	20
6.2	Adjusting of the firing door.....	21
<b>7</b>	<b>Drawings and technical data.....</b>	<b>23</b>

# 1 BASIC INFORMATIONS



All instructions delivered with products must be observed. We do not accept any warranty claim or liability for damage resulting from failure to observe these installation instructions!  
Improper installation can cause injury and material damage!

The installation may only be carried out by a registered specialist.

Fireplaces equipped with a water boiler must be pressure-tested after hydraulic connection to the heating system. Masonry work may follow only after this pressure test. Ulrich Brunner GmbH does not cover any costs incurred by necessary dismantling of masonry for rework at water boiler installation or replacement of the boiler.

The floor space of the room must have a suitable structure and sufficient dimensions to ensure proper functioning of the fireplace.

Please note that other installation and assembly instructions are included in other packaging units!

Dimensioning of downstream heat accumulator must be according to valid stove-setting rules.

During installation of the fireplace, all dimensions and minimal clearances of the fireplace casing must be held as specified by the manufacturer.

Fireplaces that meet the requirements of DIN EN 13240 or DIN EN 13229 and that can only be operated as intended with closed combustion chamber door or that have a self-closing firebox door are suitable for multiple occupancy.

All binding national or EU standards and local regulations for the installation of fireplaces must be observed.

All valid stove fitting rules and regulations of local construction law must be observed and followed.

Please follow the relevant regulations of your country.

When these instructions are followed and all works are done properly, this will ensure a safe, energy-saving and environmentally friendly operation of the stove. Pictures shown are not to be considered as complete representations of any kind.

Subject to technical and assortment changes.

Please notify your supplier of any damage which might have occurred during transport.

Please keep these instructions.

Please also take note of the online product documentation provided by:



[General instructions of the Brunner products installation for the stove construction.](https://www.brunner.de/produktdownloads/kachelofen-kamine/allgemeine-hinweise-fuer-den-aufbau_de.pdf)

([https://www.brunner.de/produktdownloads/kachelofen-kamine/allgemeine-hinweise-fuer-den-aufbau\\_de.pdf](https://www.brunner.de/produktdownloads/kachelofen-kamine/allgemeine-hinweise-fuer-den-aufbau_de.pdf)) laden können.



## **2 PRODUCT DESCRIPTION**

The fireplace has been approved according to EN 13229 and can be combined with a metallic radiator or ceramic accumulator for greater efficiency and heating power. It can be fitted with the optional electronic stove control system (EAS/EOS) at delivery or after the fireplace installation has been completed.

Combustion air can be supplied from outside by connecting to a separate air duct.

Combustion air is supplied through a provided connecting piece. The volume of air supplied for combustion can be controlled by using a combustion air regulator.

The HKD series are designed for closed installation without any vents (hypocaust principle). Design of a hypocaust must ensure uninterrupted transfer and even distribution of heat inside the casing, preventing all parts of the heating chamber from overheating. Dimensioning of heat projecting walls of the casing must be adjusted to performance data of the heating device. Thickness of insulation for building walls surrounding the fireplace stated in technical data has been determined during continuous operation with open air vents (safety test according to EN 13229 - heat transfer coefficient of the tested wall at 0,7 W/m<sup>2</sup>K), and must be amended accordingly for different conditions (for example, by providing air ventilation for walls).

When installing electric or electronic parts (controllers, sensors, cables...) or water-conducting parts, please consider the max. permitted surrounding temperatures for these components.

You can optionally upgrade the device with an electronic control system (EAS/EOS).

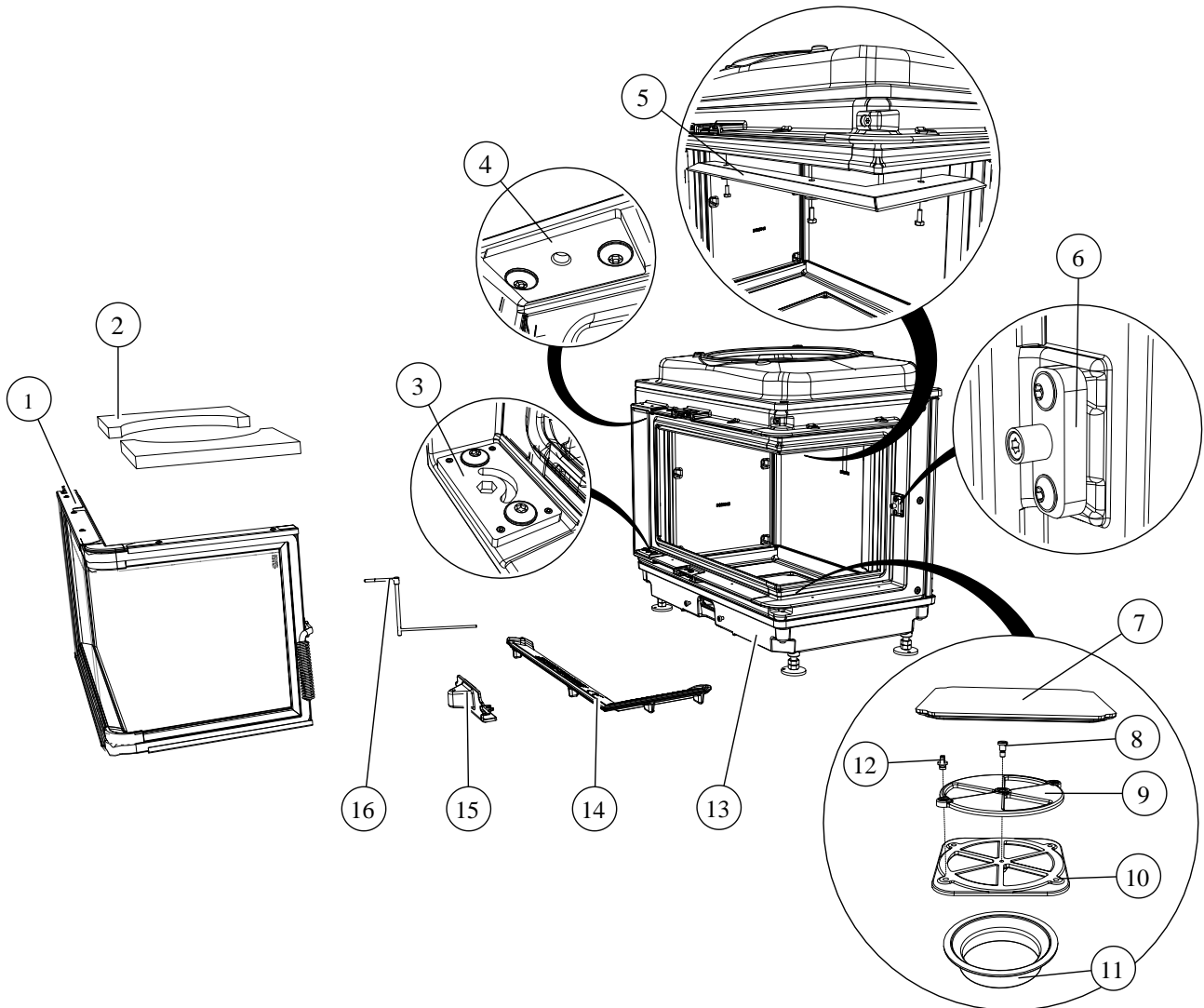
## **3 DELIVERY CONTENTS**

The delivery consists of different packaging units depending on the configuration of the system.



## 4 DESCRIPTION OF PARTS

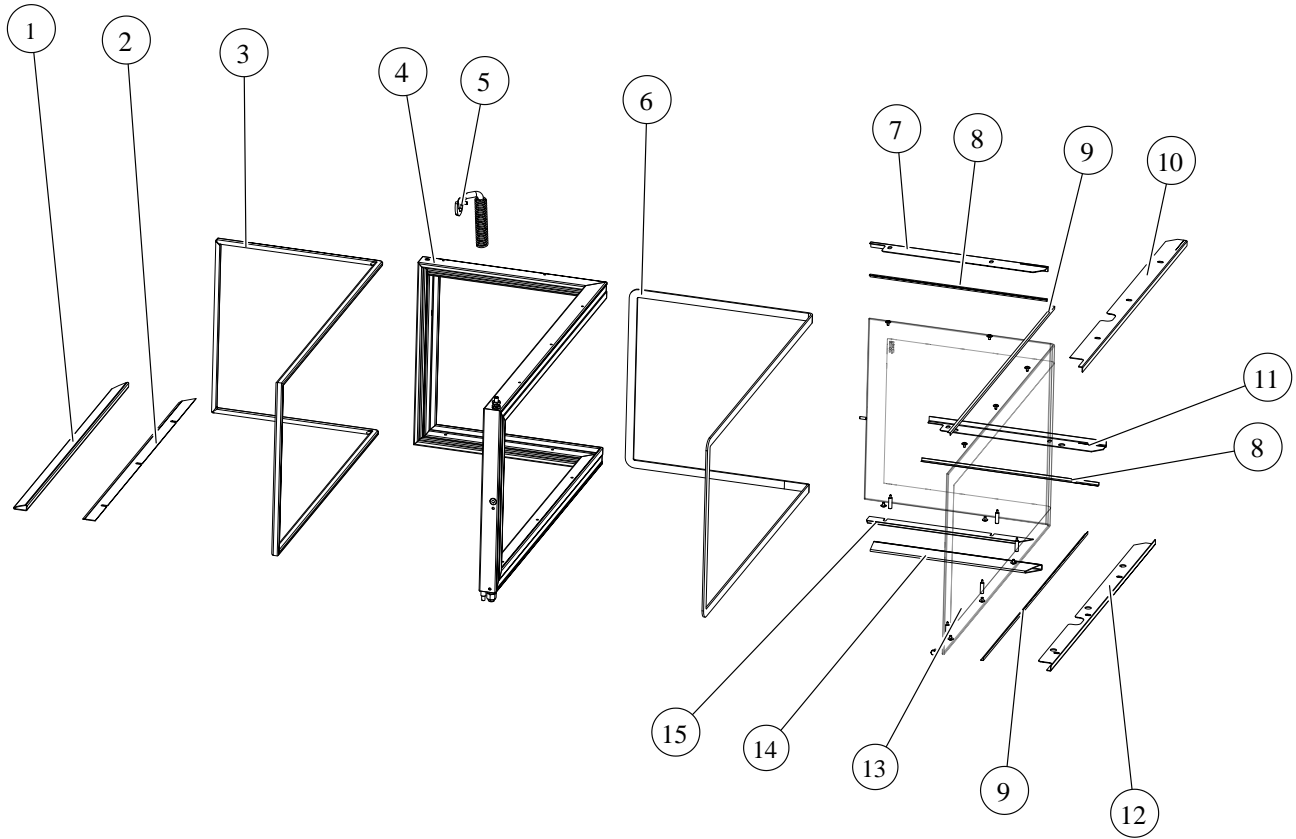
### 4.1 BODY

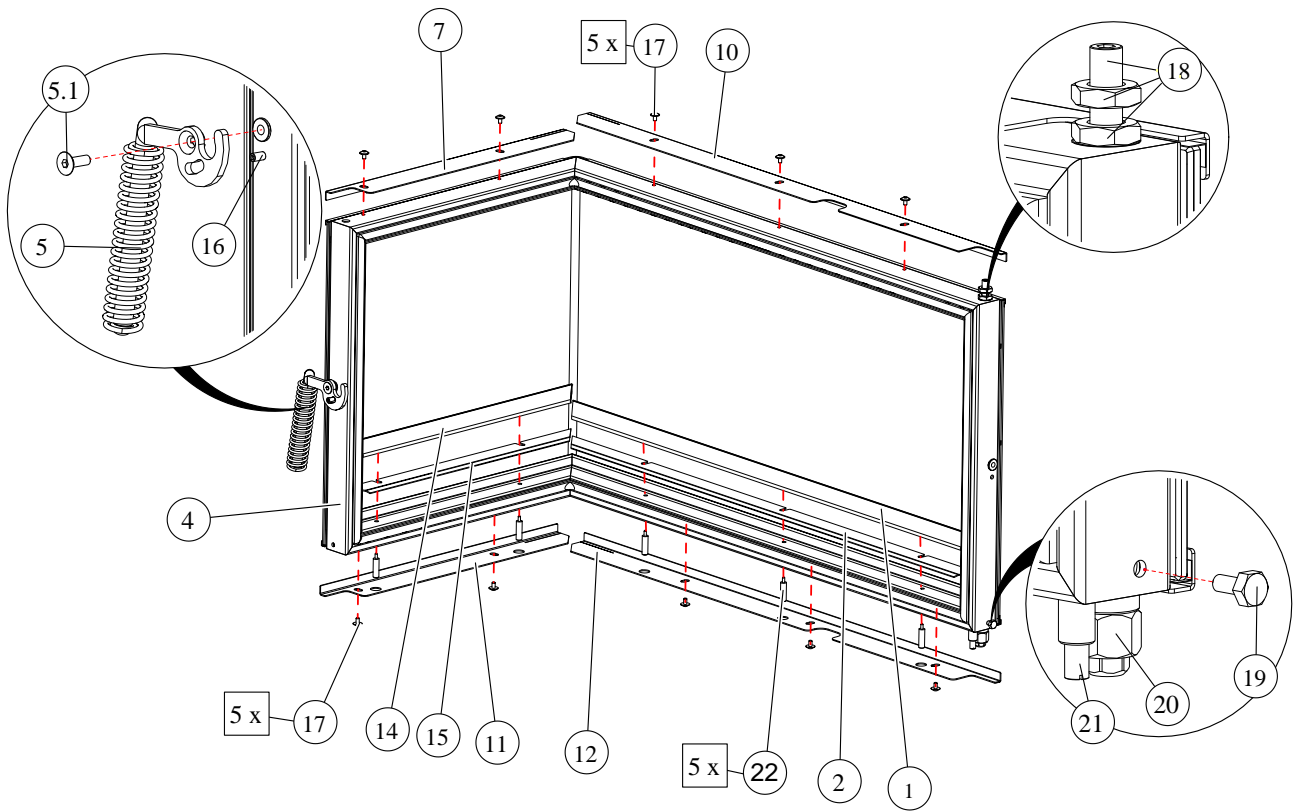


Item	Part No.	Designation	Pcs.	Item	Part No.	Designation	Pcs.
1	D026005-01	Corner door R	1	2	D025067	Deflector plate	2
3	D025110	Hinge for door, complete	1	4	D025106	Hinge for door, complete	1
5	D025087	Air directing panel R	1	6	D025130	Roller guide adjusting plate	1
7	D016019	Revision cover	1	8	800168	Flat head screw M8x10	1
9	D003221	Combustion air turnable	1	10	D016116	Air inlet plate	1
11	D016087 D016117	Combustion air supply nozzle dia.160 Combustion air supply nozzle dia. 125	1	12	D003239	Air adjuster mount	1
13	D025009	Body	1	14	D025051	Text plate right side	1

15	D025008-02	Front lower part	1	16	D003238	Air adjusting handle	1
----	------------	------------------	---	----	---------	----------------------	---

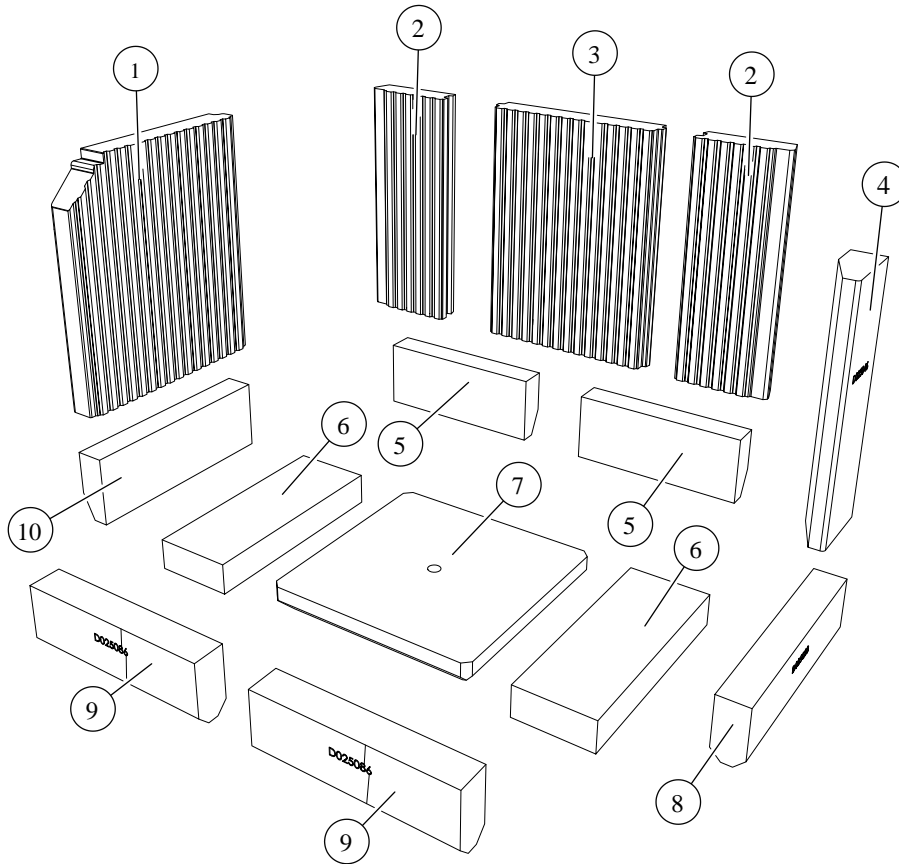
## 4.2 FIREPLACE DOOR





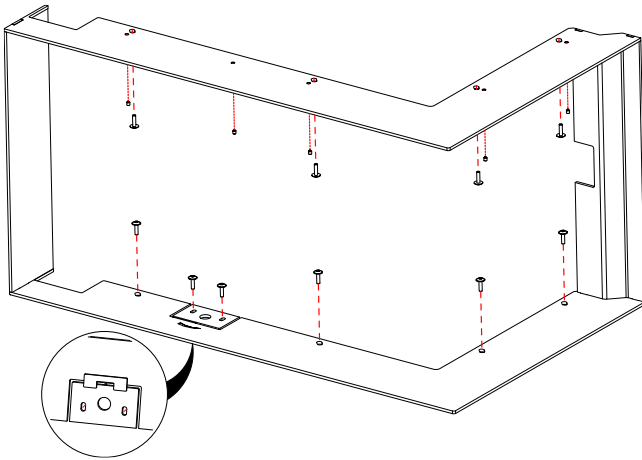
Item	Part No.	Designation	Pcs.	Item	Part No.	Designation	Pcs.
1	D026019	Long lower clamping profile	1	2	D026020	Cover of the long sealing rope	1
3	D025020	Sealing between door and front	1	4	D026010	Door frame	1
5	I003350	Door handle right side DT S04	1	5.1	00661	Countersunk screw M6x16	1
6	D026018	Sealing between glass pane and door	1	7	D026025-01	Bracket of the short outer glass pane	1
8	D026028	Sealing of the long bracket	2	9	D026027	Sealing of the long bracket	2
10	D026023-01	Bracket of the long outer glass pane	1	11	D026026-01	Bracket of the short lower glass pane	1
12	D026024-01	Bracket of the lower long glass pane	1	13	D026011-01	Glass pane	1
14	D026022	Short lower clamping profile	1	15	D026021	Cover of the short sealing rope	1
16	800071	Threaded pin M5x12	1	17	02543	Lens headed screw M4x6	10
18	D025041	Upper door hinge bolt	1	19	02531	Hexagon screw M5x10	1
20	I003385	Torsion spring counterpart	1	21	800164	Shaft screw M6x16	1
22	02446	Shaft screw M3x6	5				

### 4.3 FIRECLAY LINING HKD 10/11 RIGHT



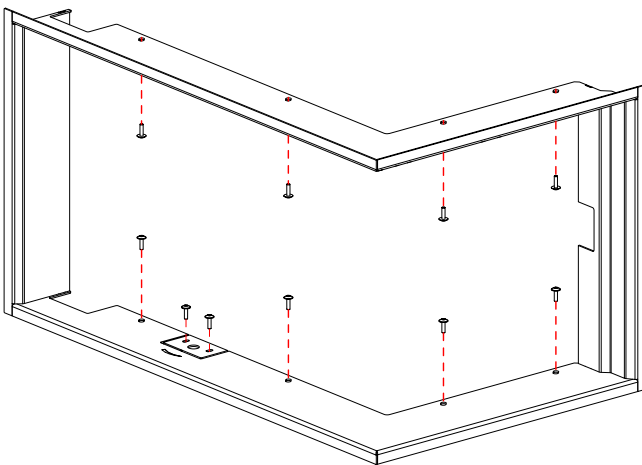
Pos.	Art.no.	Designation	Pcs.	Pos.	Art.no.	Designation	Pcs.
1	D025044	Sidewall stone	1	2	D025045	Backwall stone outside	2
3	D016047	Backwall stone middle	1	4	D025046	Sidewall stone short side	1
5	D025047	Backwall wedge stone	2	6	D025043	Bottom stone	2
7	D003232	Bottom stone	1	8	D025023	Front wedge short side	1
9	D025086	Front wedge long side	2	10	D025069	Front wedge short side	1

## 4.4 INSTALLATION FRAME



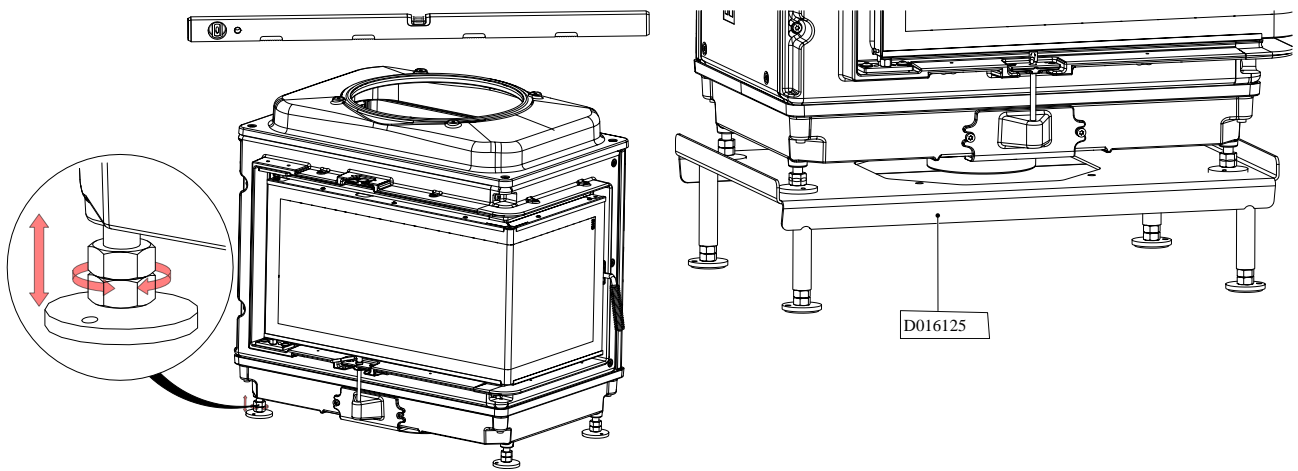
Part. No	Designation	Pcs.
D026044-01	Installation frame 50mm right	1
800553	Lens head screw M5x16	10
02152	Headless screw M5x6	5

## 4.5 DOOR FRAME

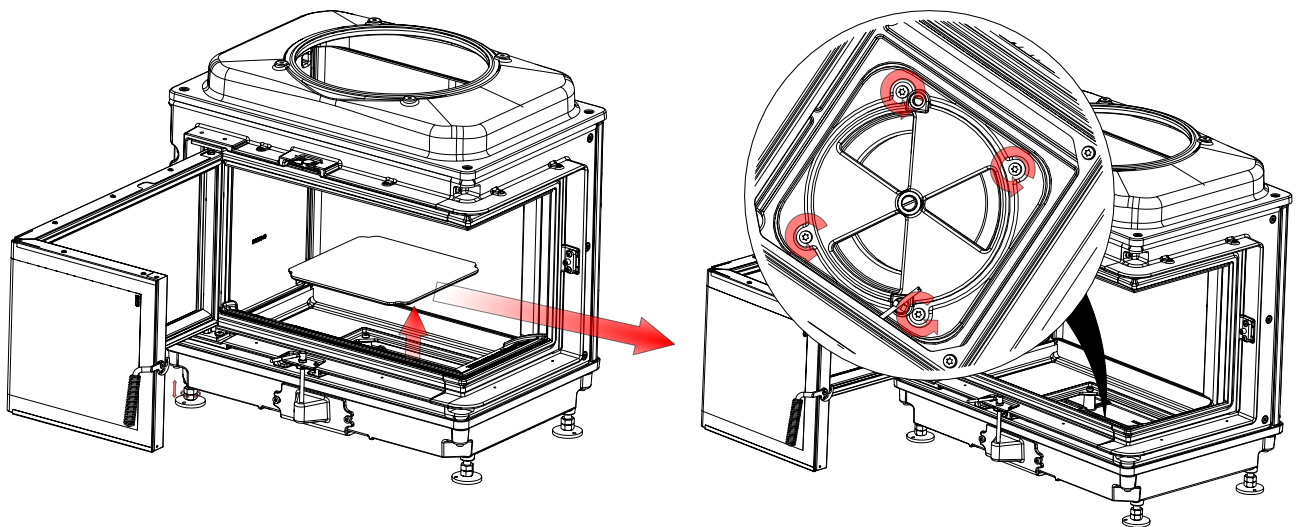


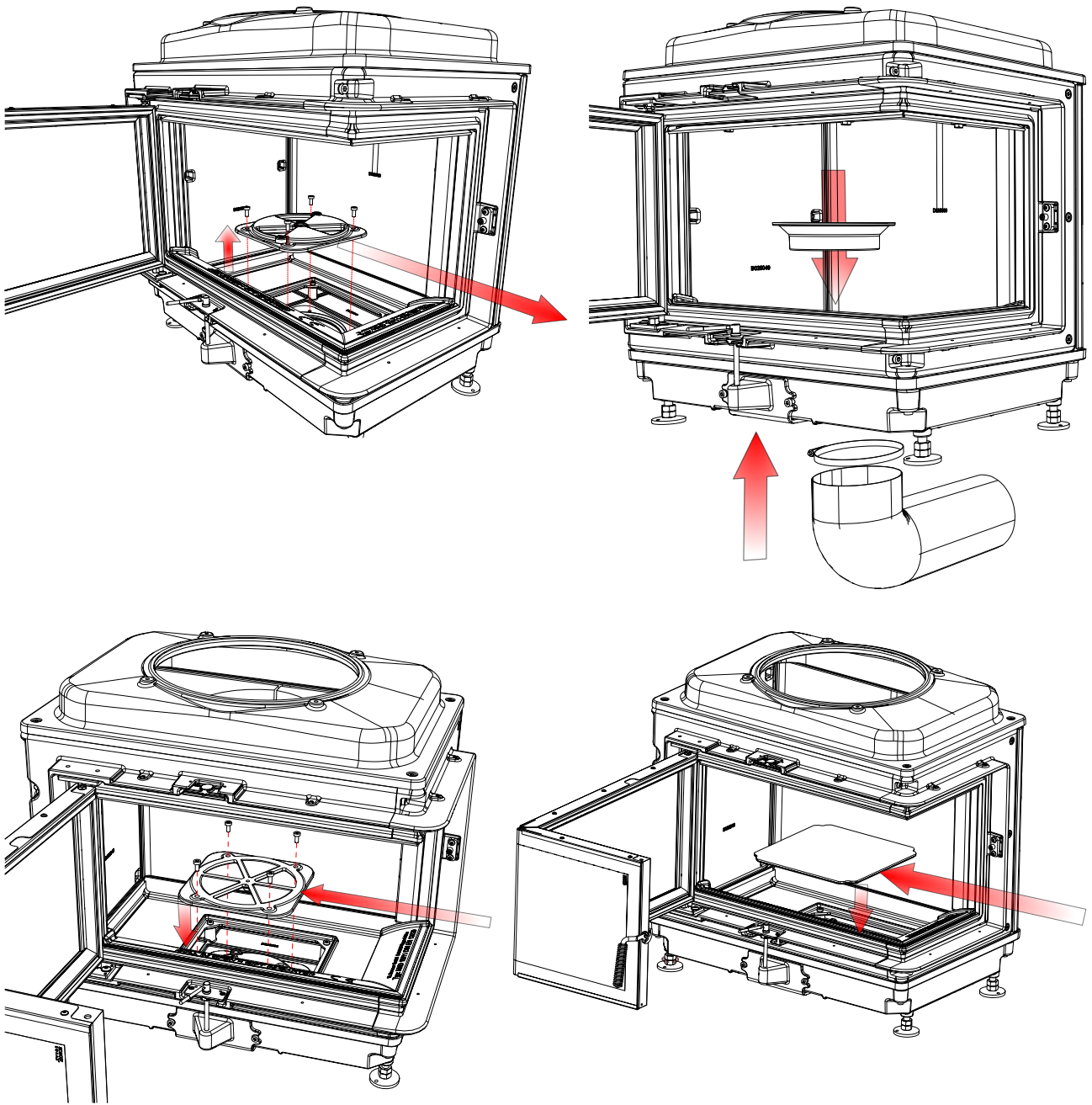
Part No.	Designation	Pcs.
D026041-01	Door frame left	1
800553	Lens headed screw M5x16	10

## 5 SETUP OF HKD 11 RIGHT



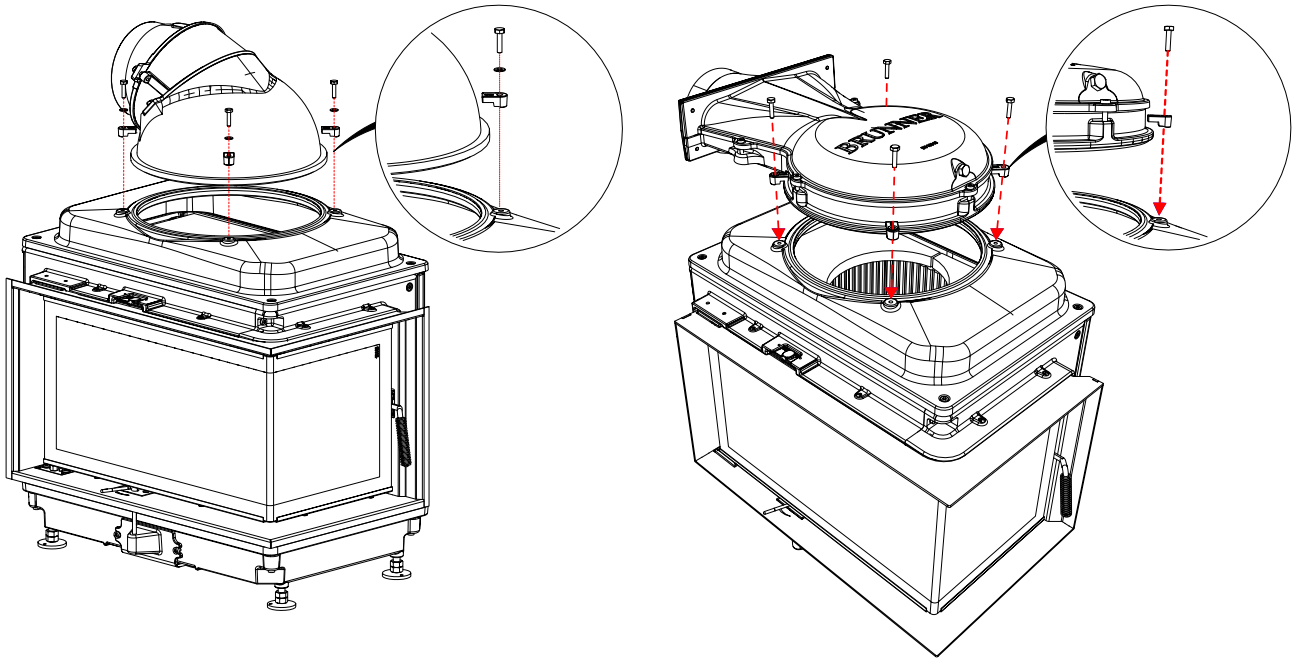
### 5.1 ASSEMBLY OF THE OUTSIDE AIR SUPPLY



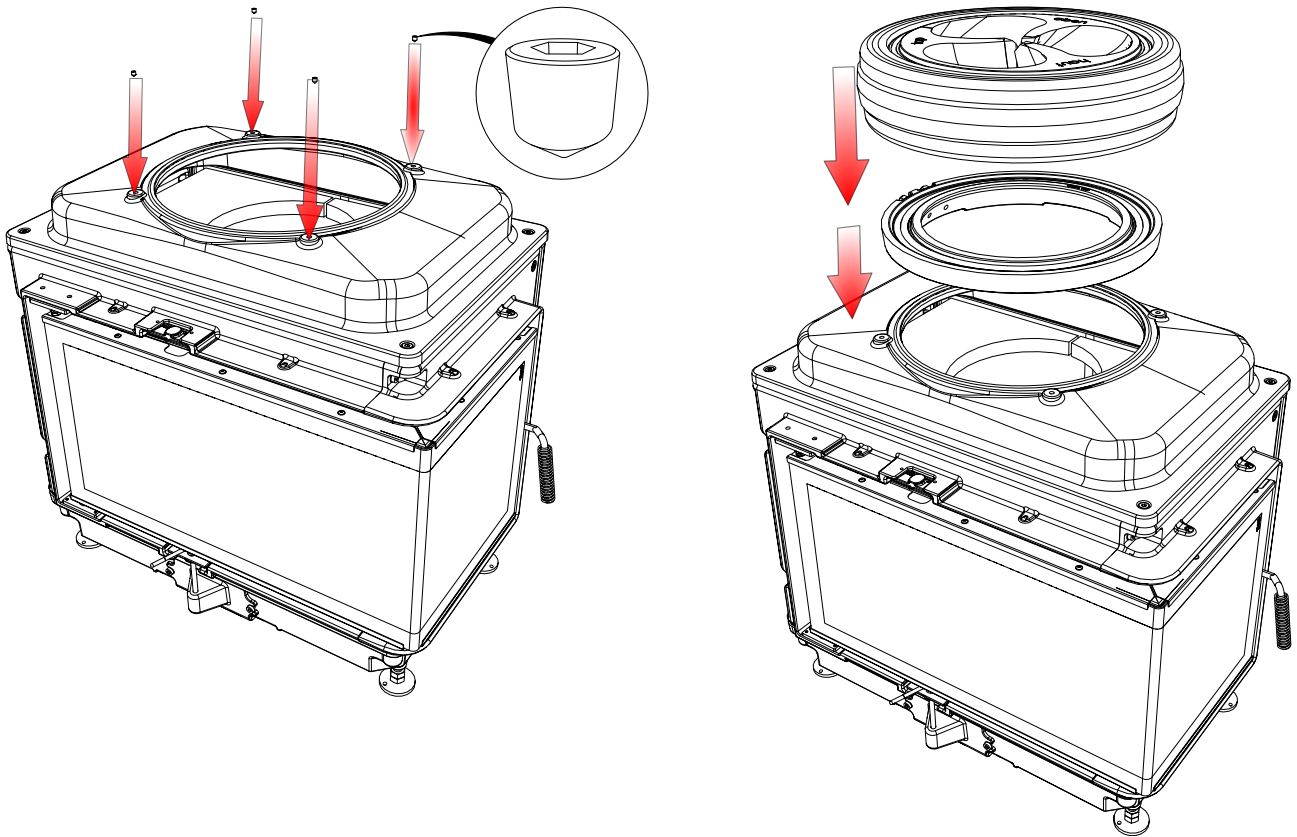




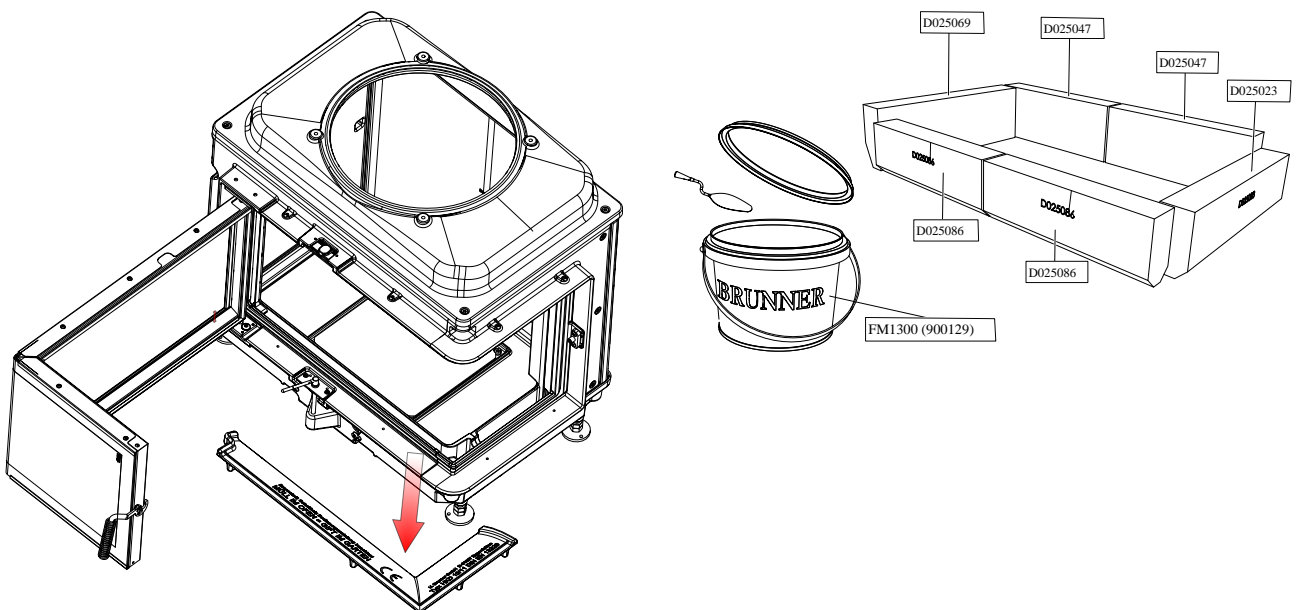
## 5.2 INSTALLATION OF THE FLUE GAS NOZZLE

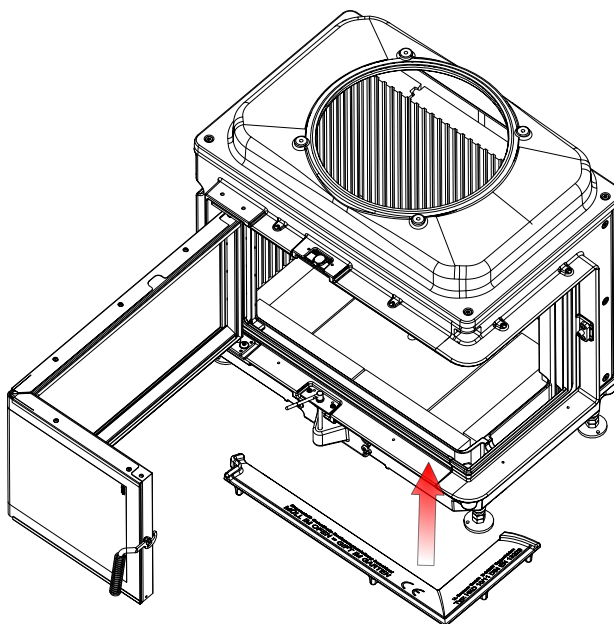
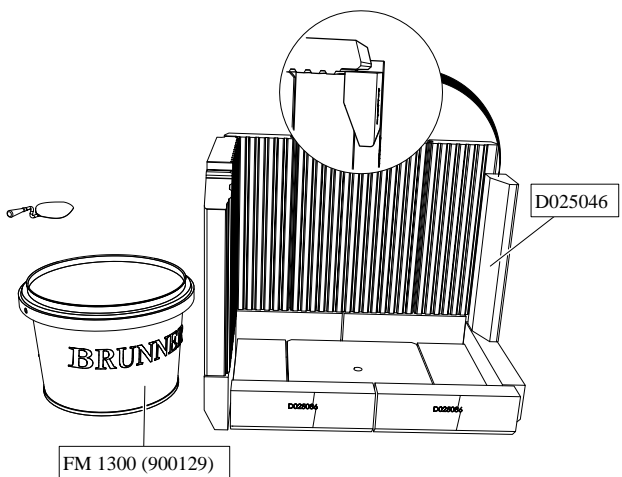
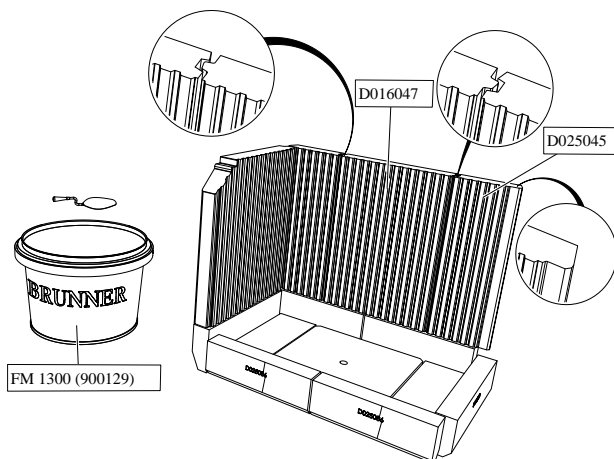
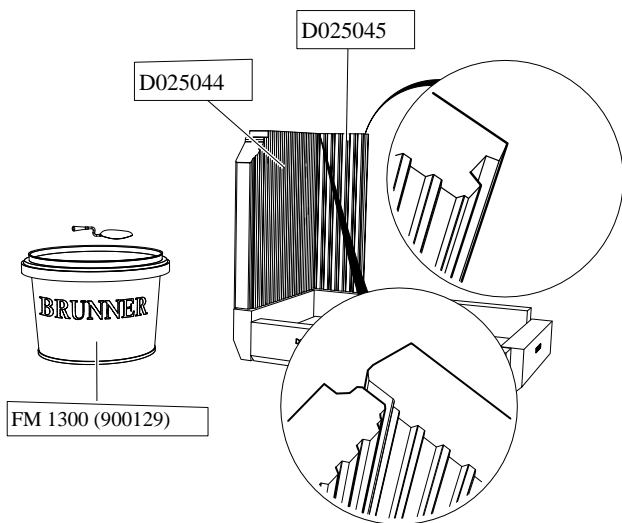
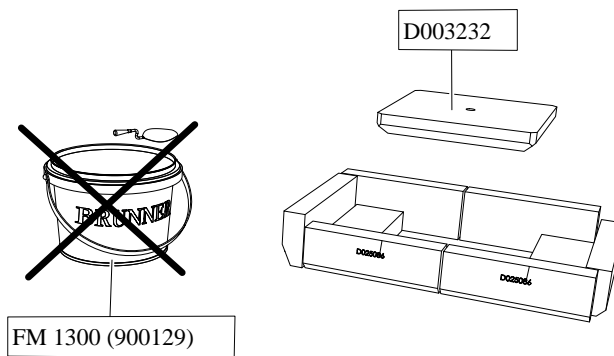
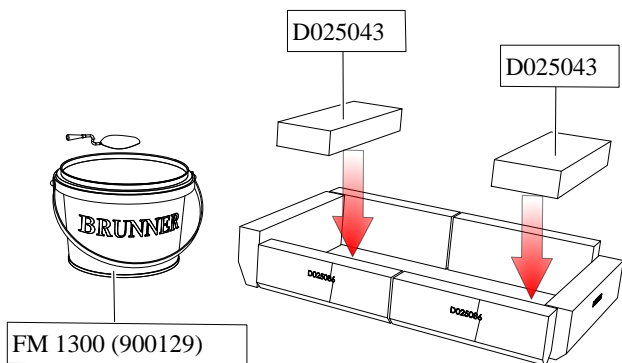


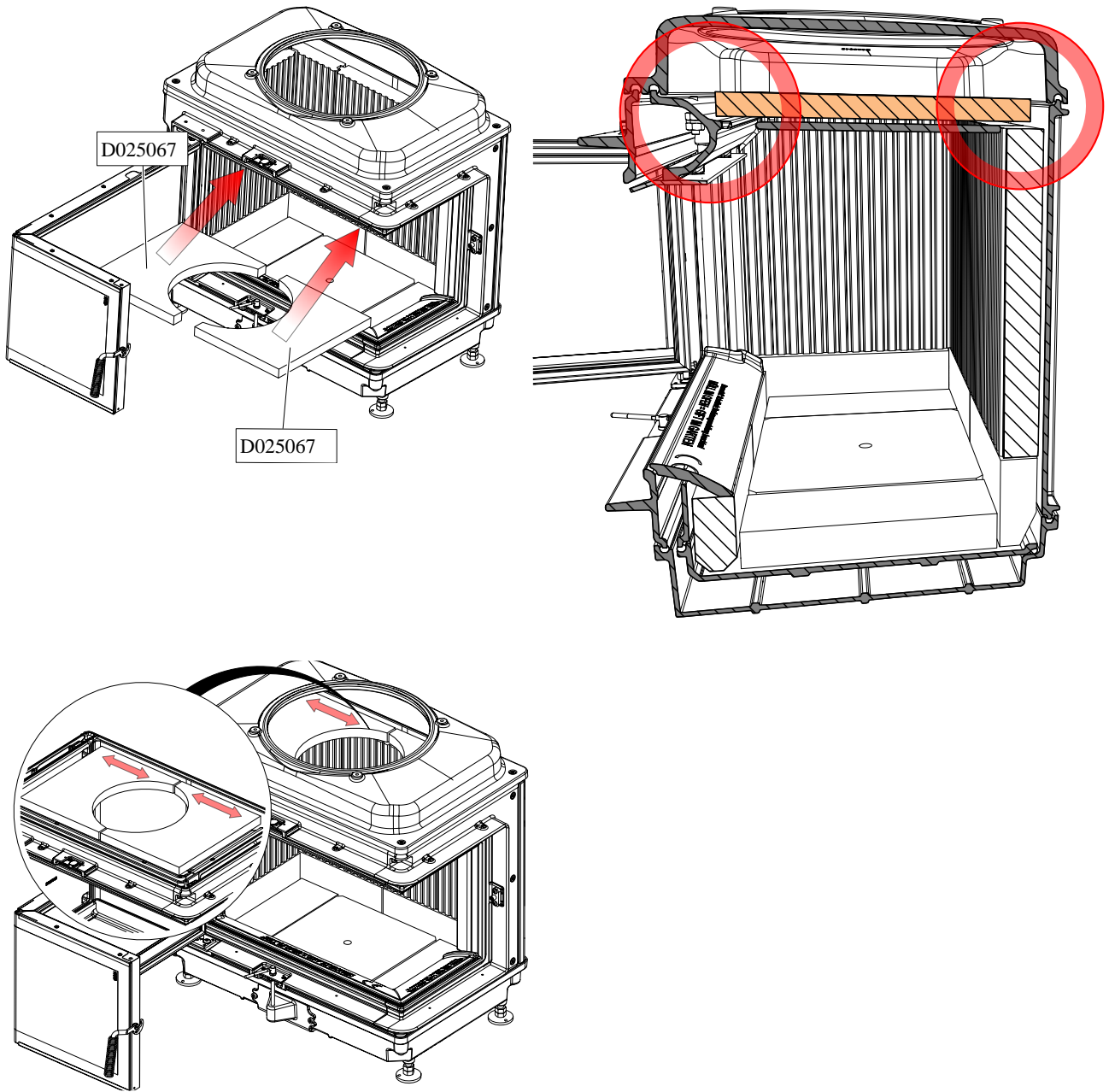
### 5.3 INSTALLATION OF THE SPACER RING FOR MAS



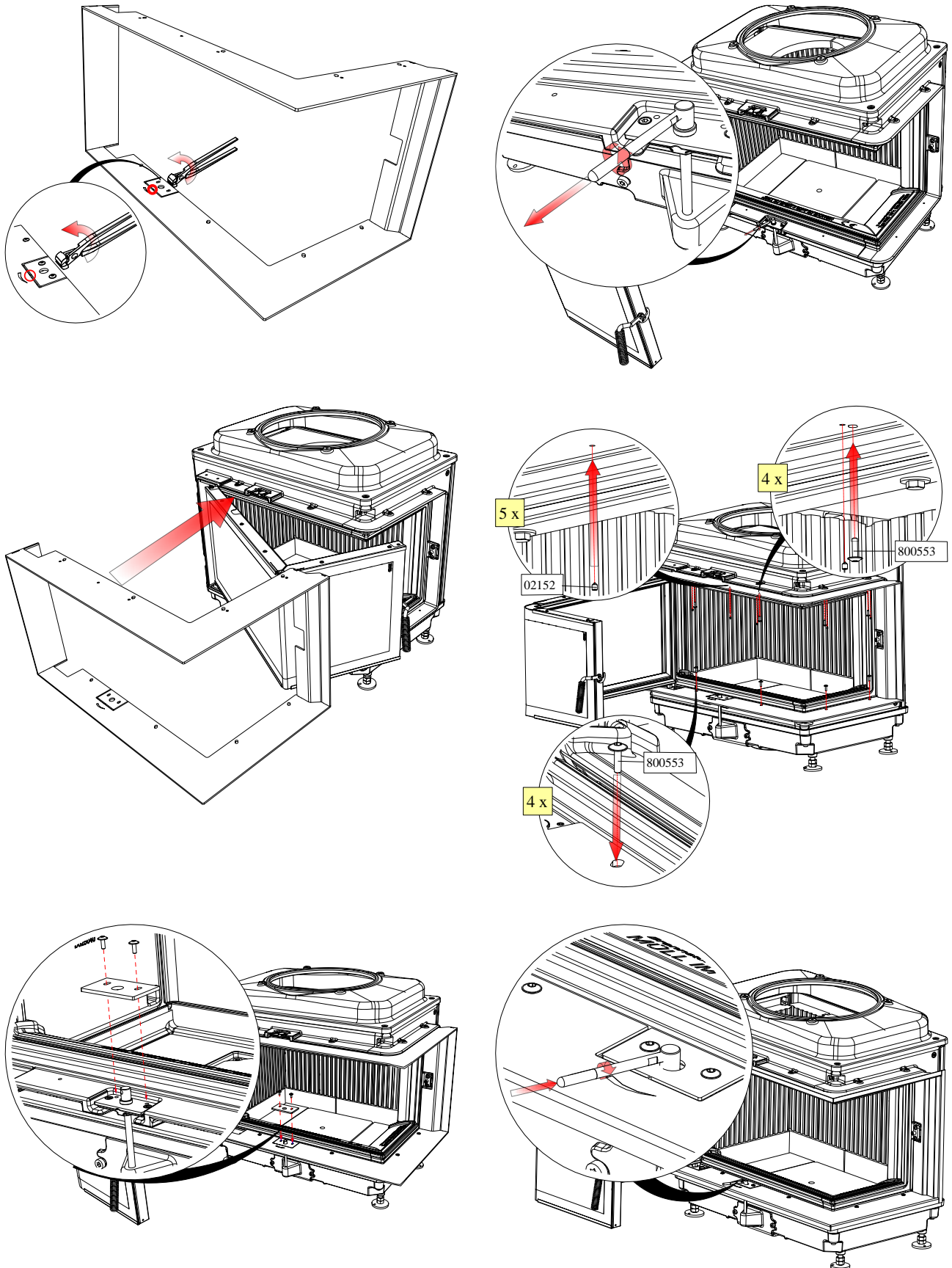
### 5.4 ASSEMBLY OF THE COMBUSTION CHAMBER WITH FIRECLAY LINING





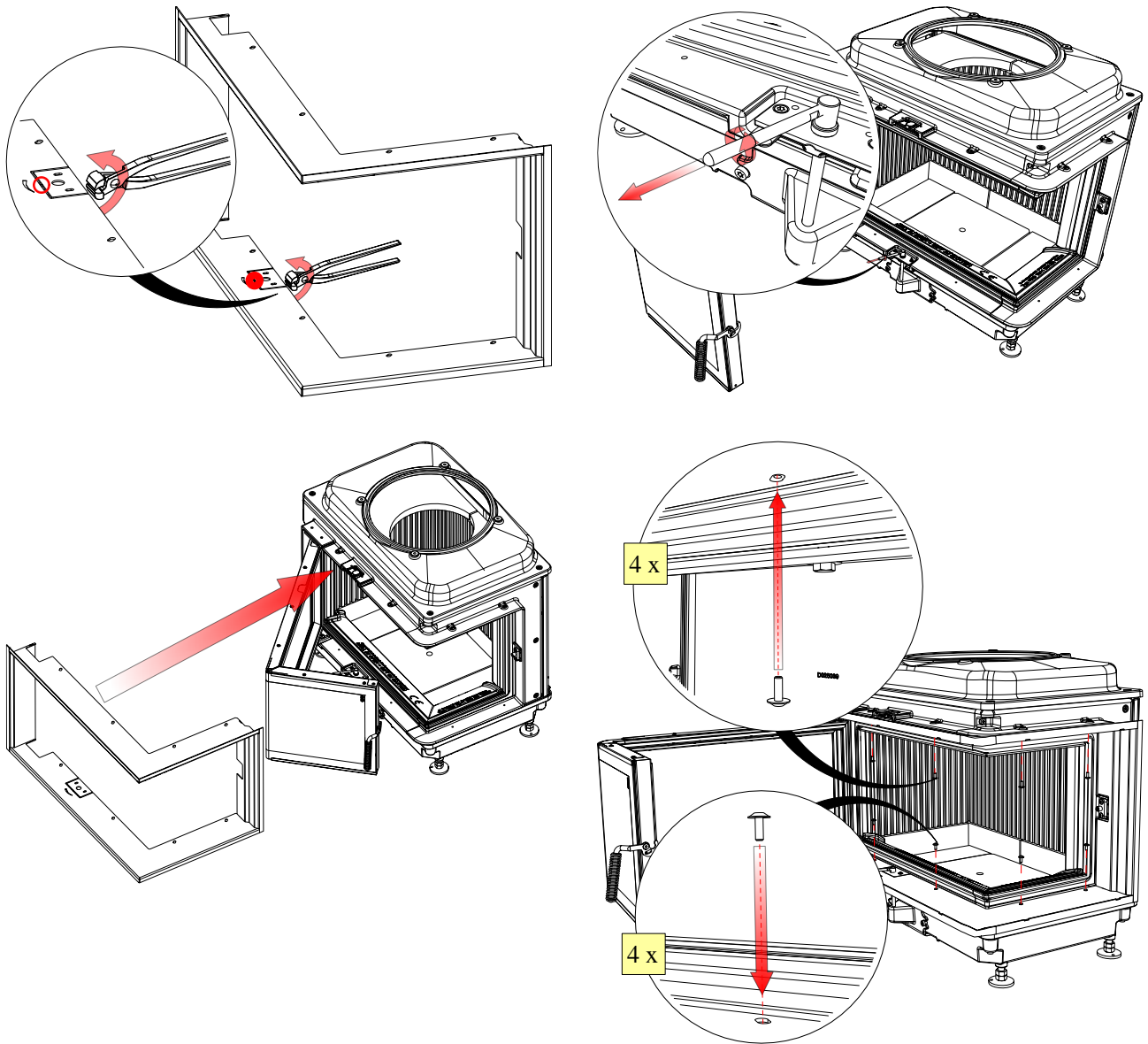


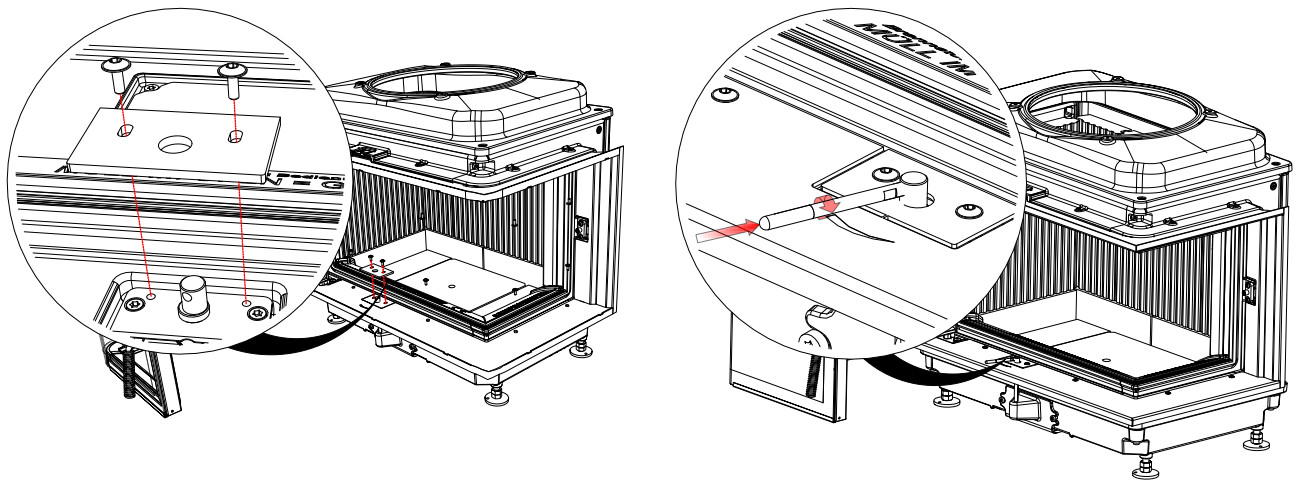
## 5.5 INSTALLATION OF THE MOUNTING FRAME





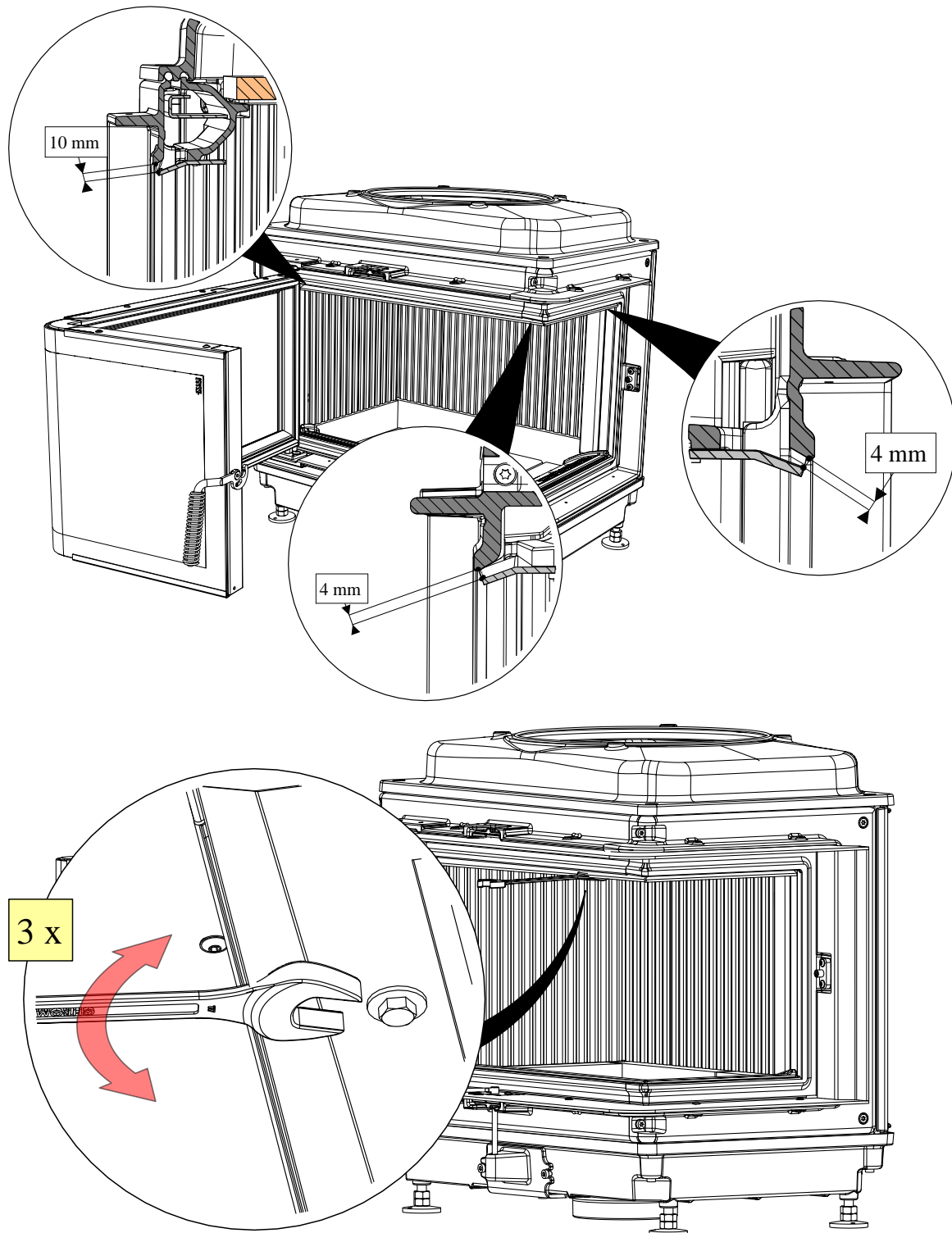
## 5.6 INSTALLATION OF THE DOOR FRAME





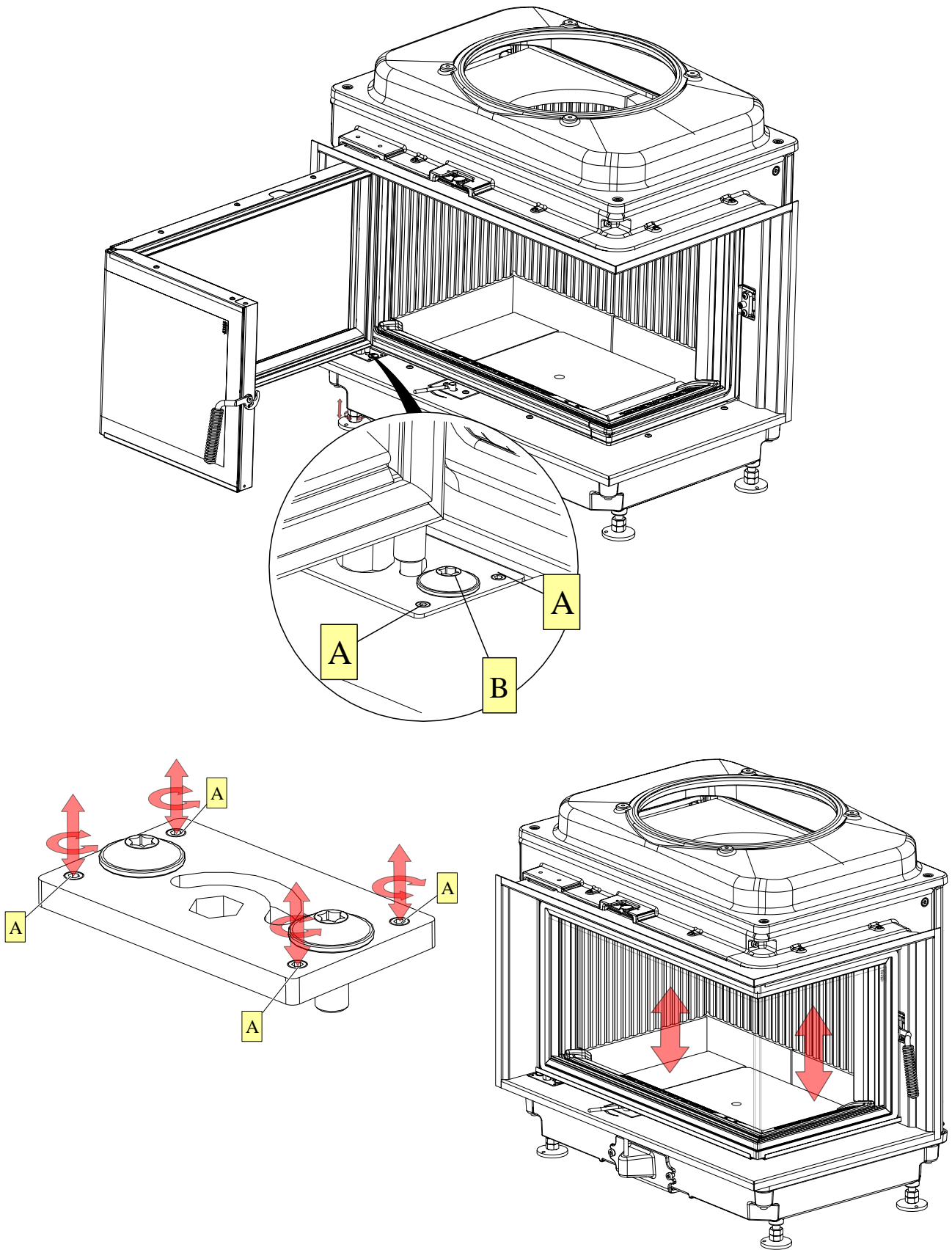
## 6 ADJUSTMENTS OF HKD 11 RIGHT

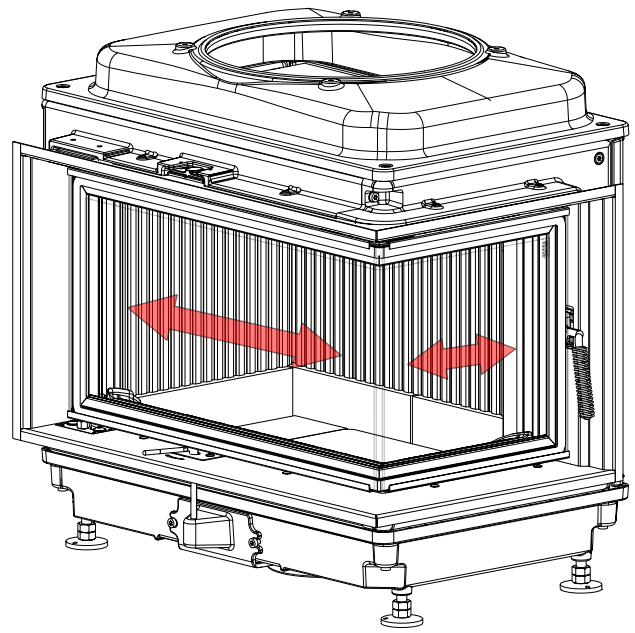
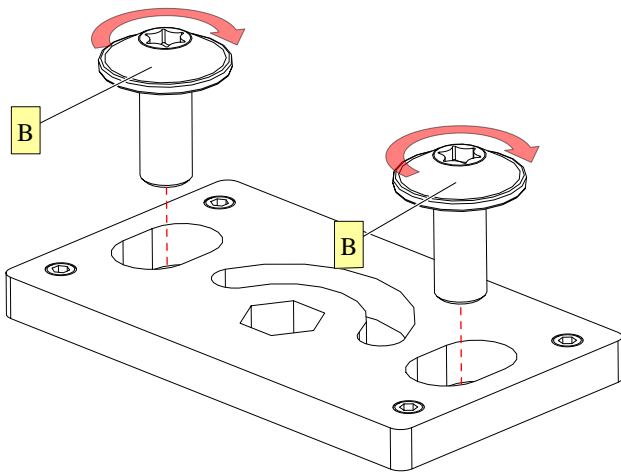
### 6.1 ADJUSTING OF COMBUSTION AIR



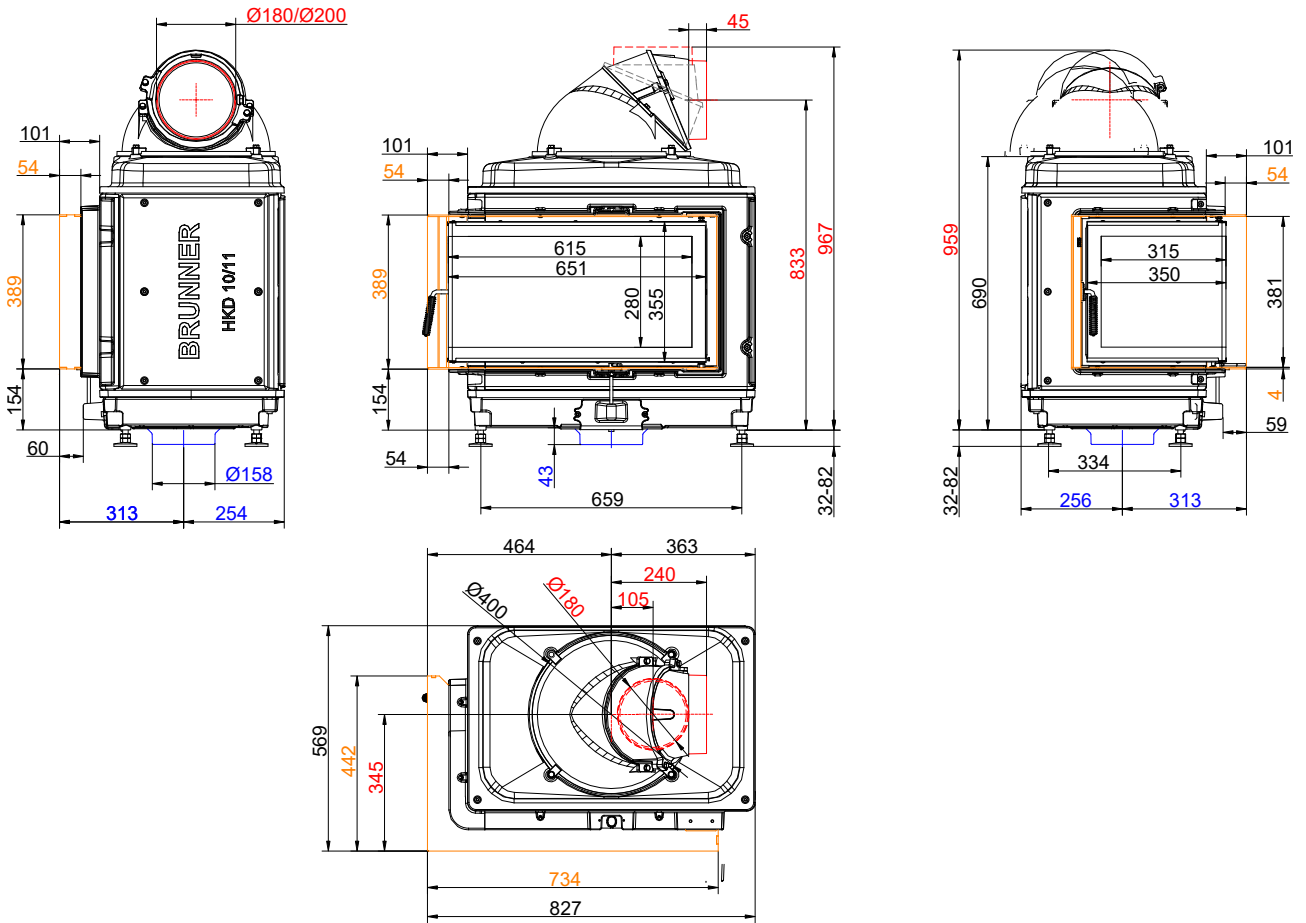


## 6.2 ADJUSTING OF THE FIRING DOOR

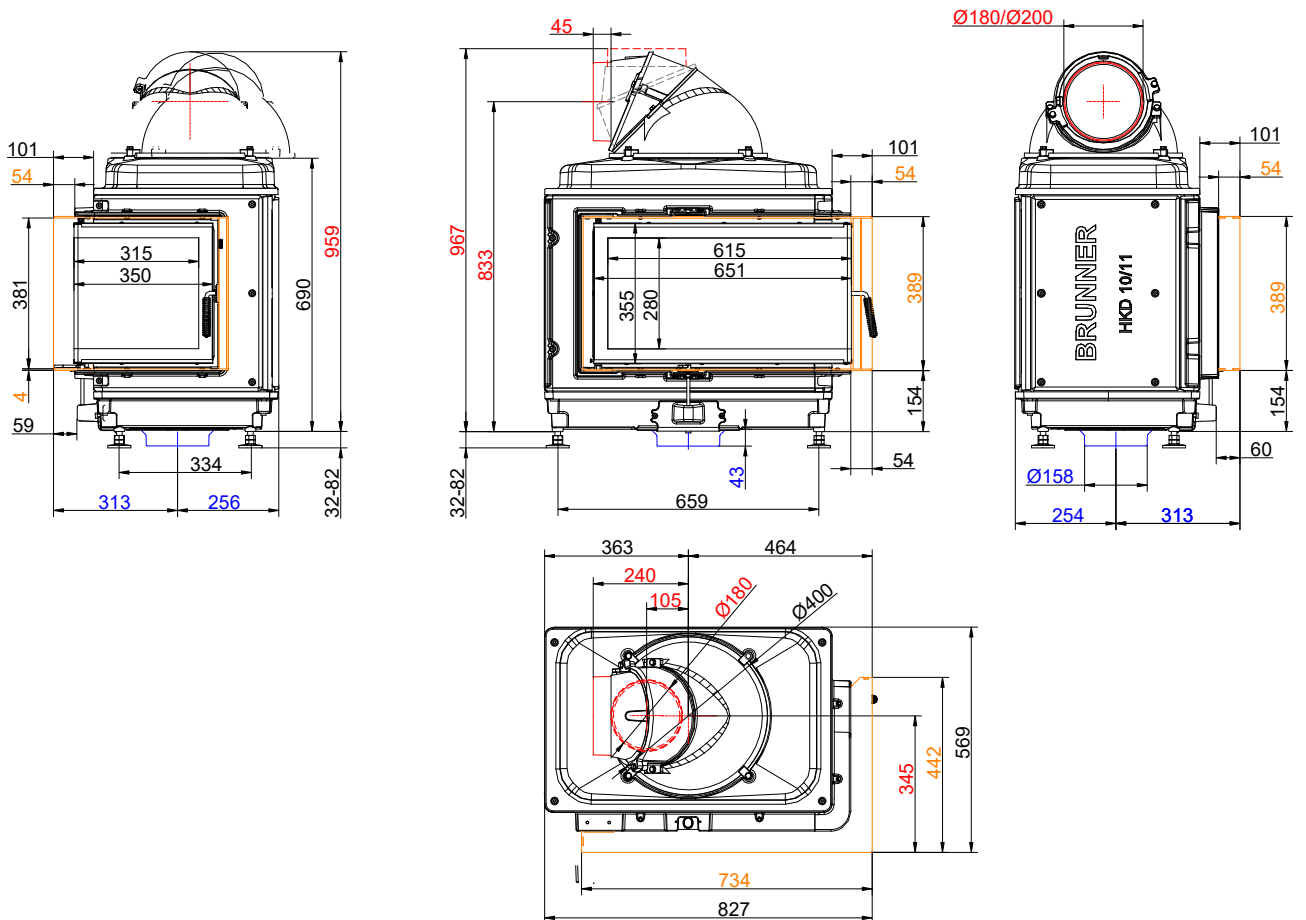




# Dimension sheets - HKD 11

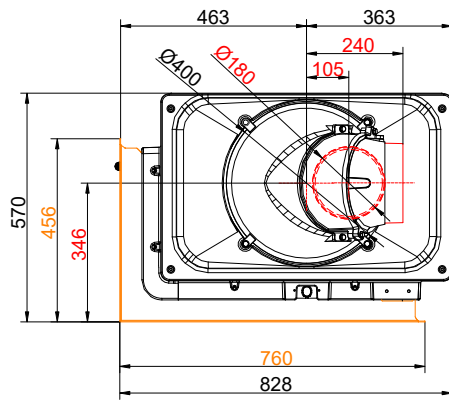
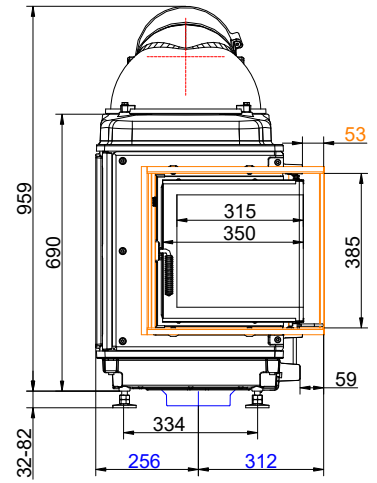
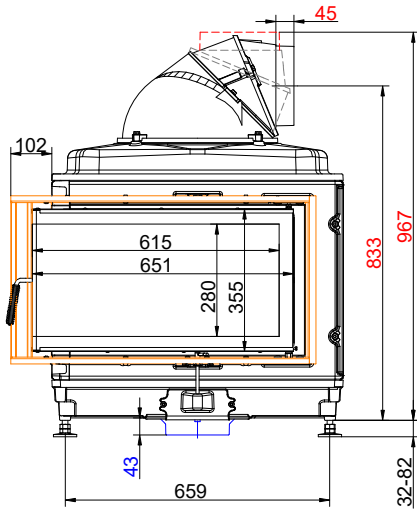
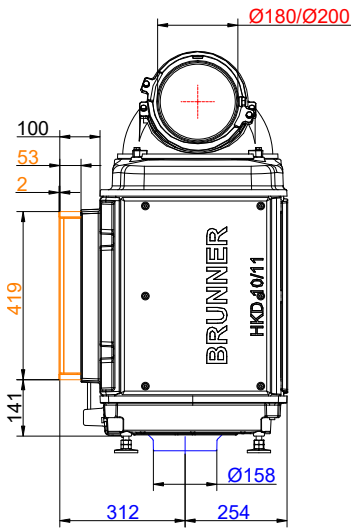


... left with cast iron dome, mounting frame

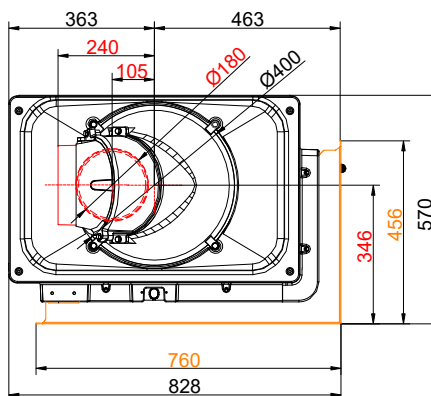
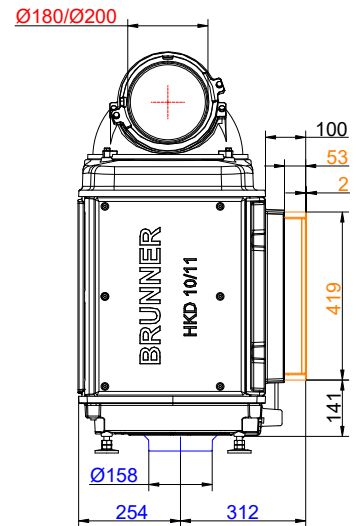
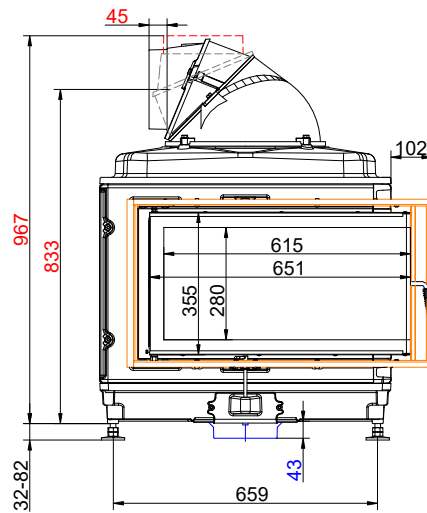
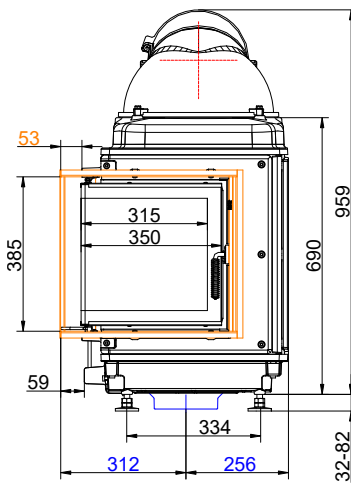


... right with cast iron dome, mounting frame

# Dimension sheets - HKD 11

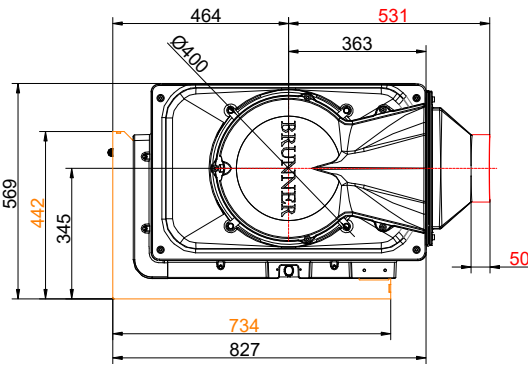
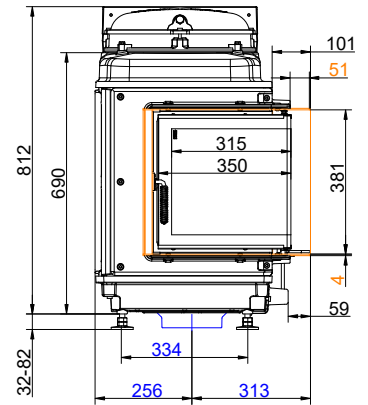
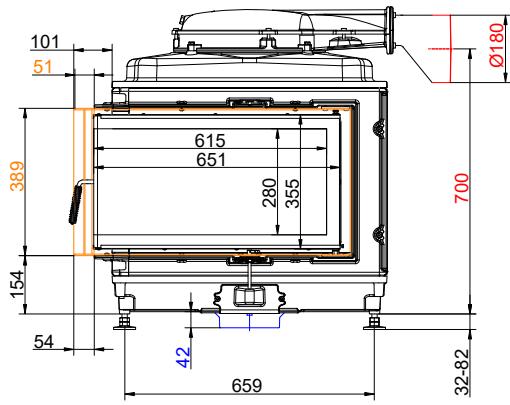
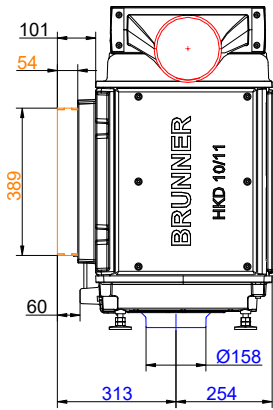


... left with cast iron dome, door frame

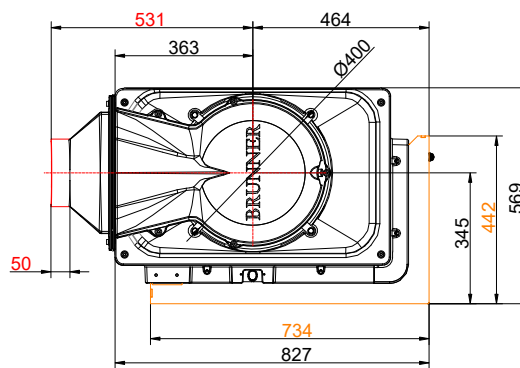
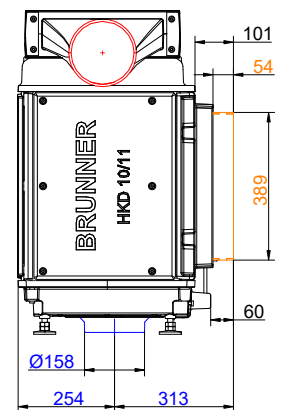
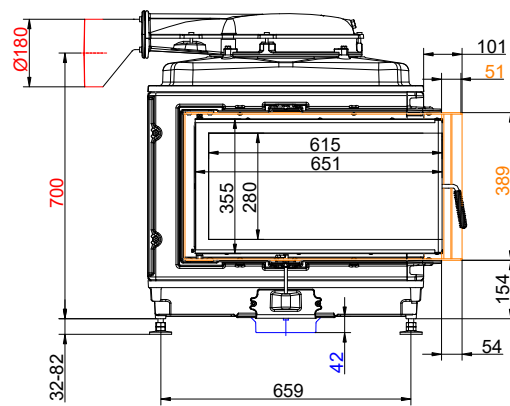
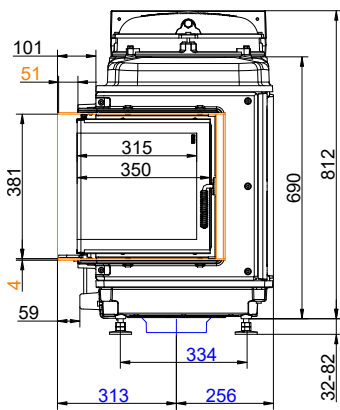


... right with cast iron dome, door frame

# Dimension sheets - HKD 11

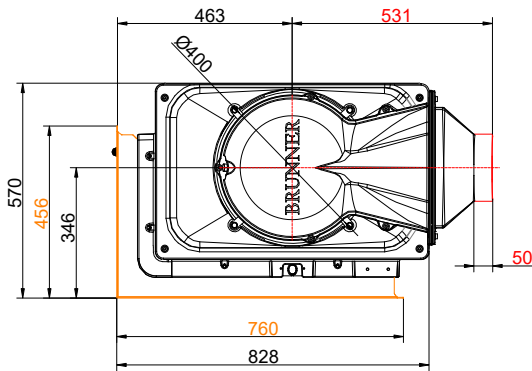
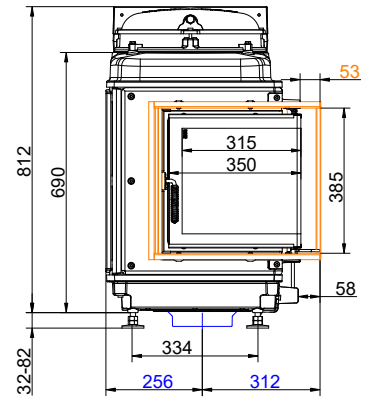
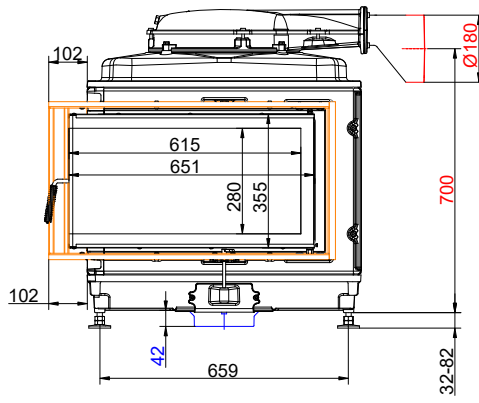
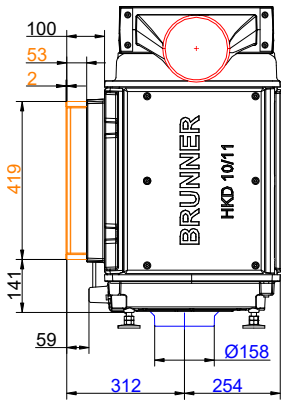


...left with lower cast iron dome, mounting frame

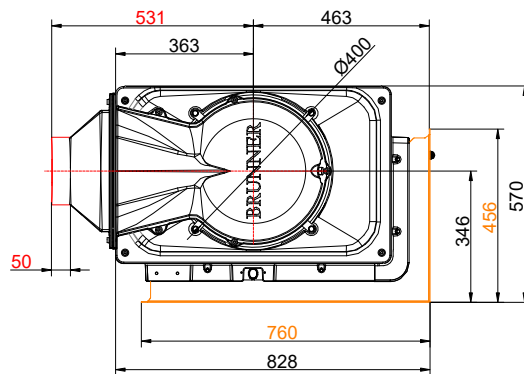
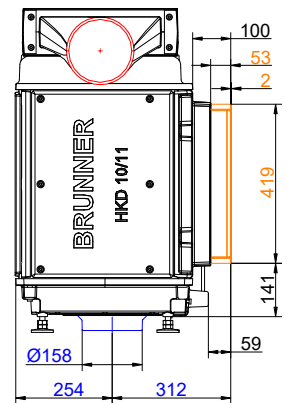
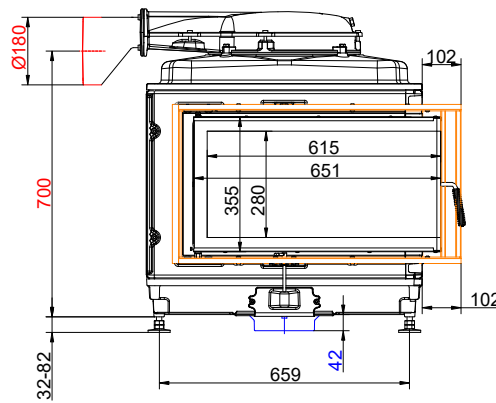
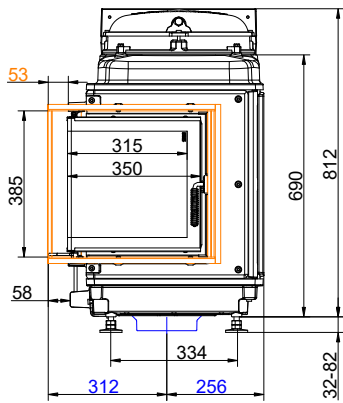


... right with lower cast iron dome, mounting frame

# Dimension sheets - HKD 11

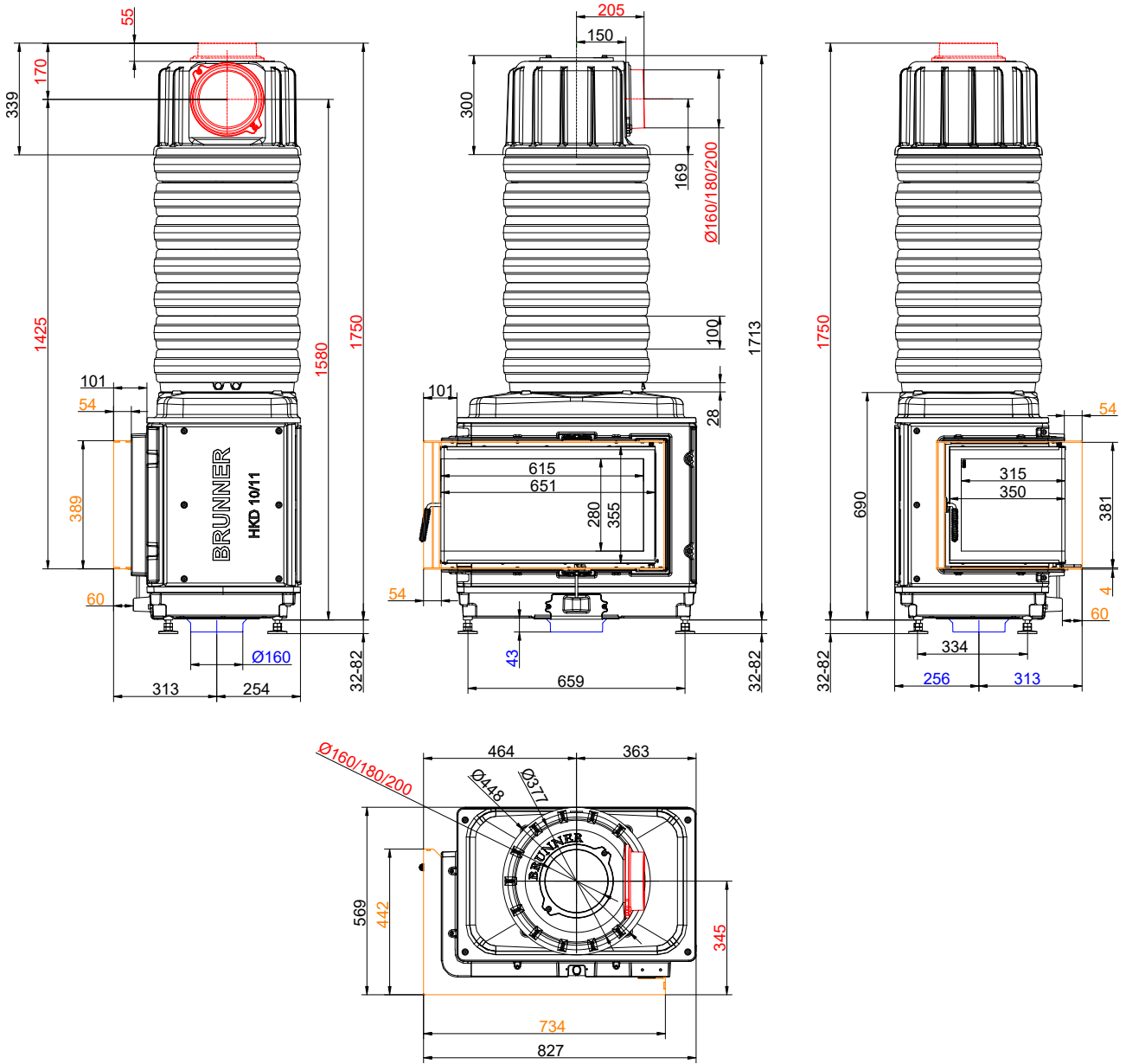


... left with lower cast iron dome, door frame



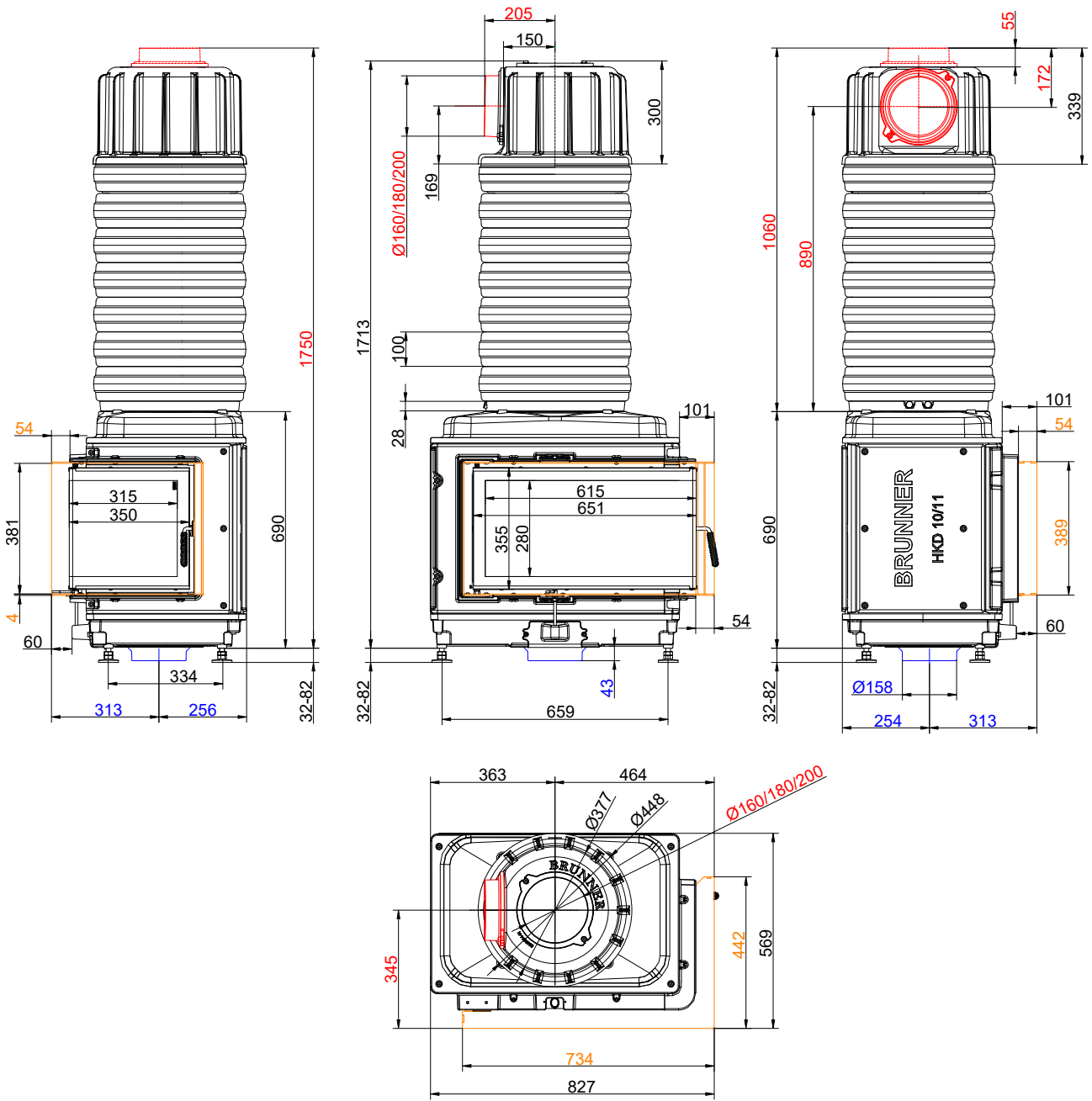
... right with lower cast iron dome, door frame

# Dimension sheets - HKD 11



... left with MAS, mounting frame

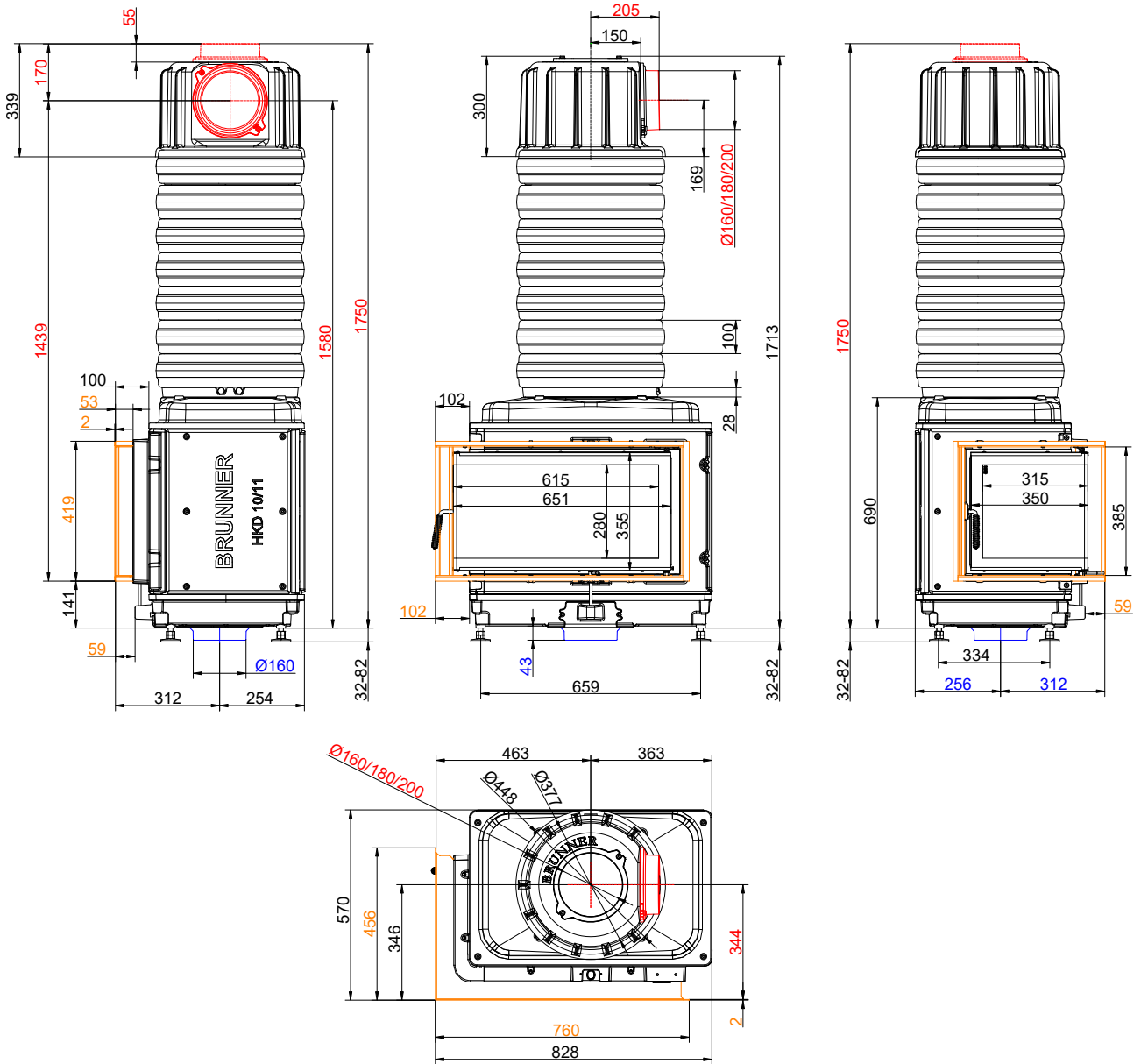
# Dimension sheets - HKD 11



... right with MAS, mounting frame

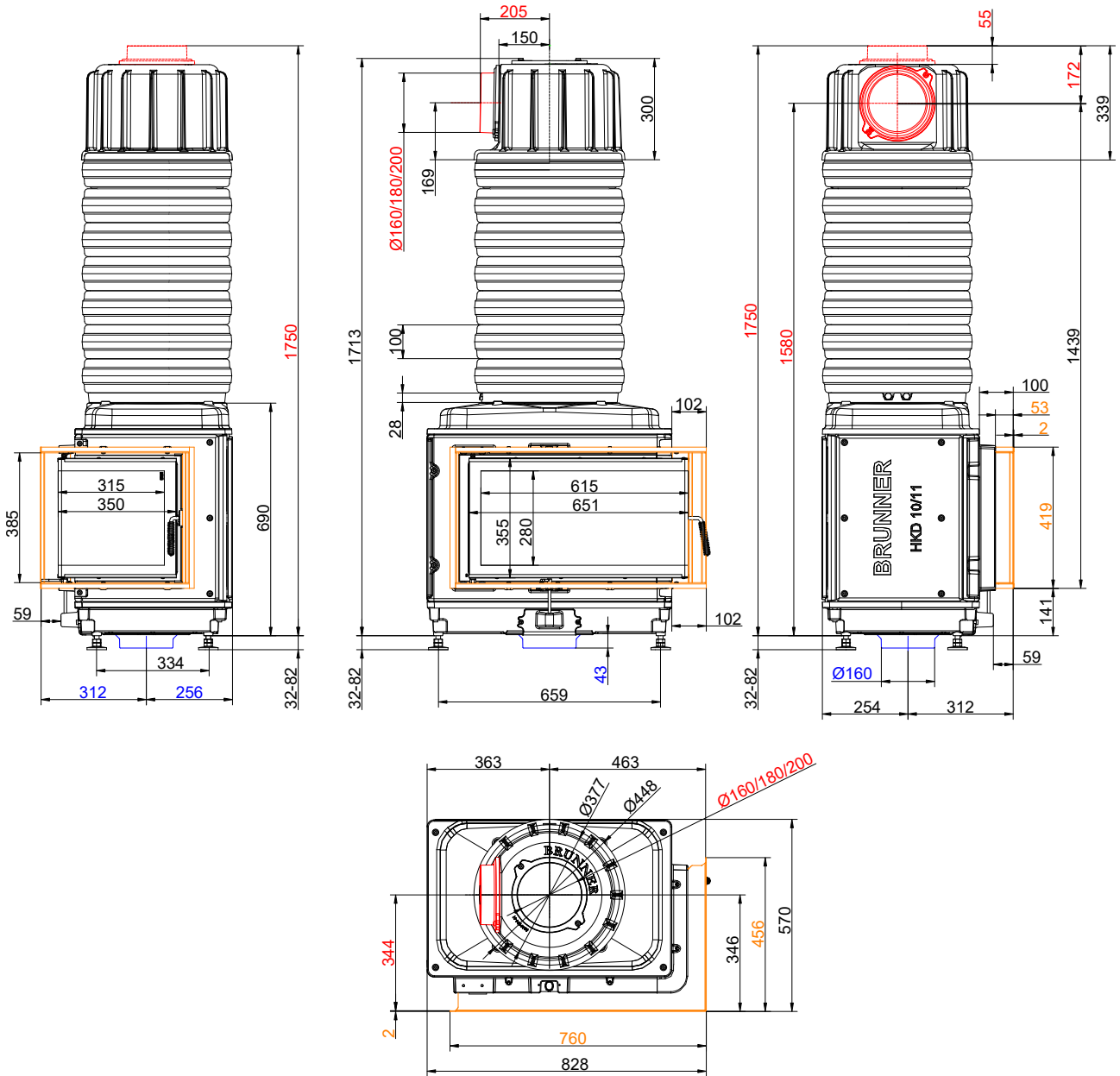


# Dimension sheets - HKD 11



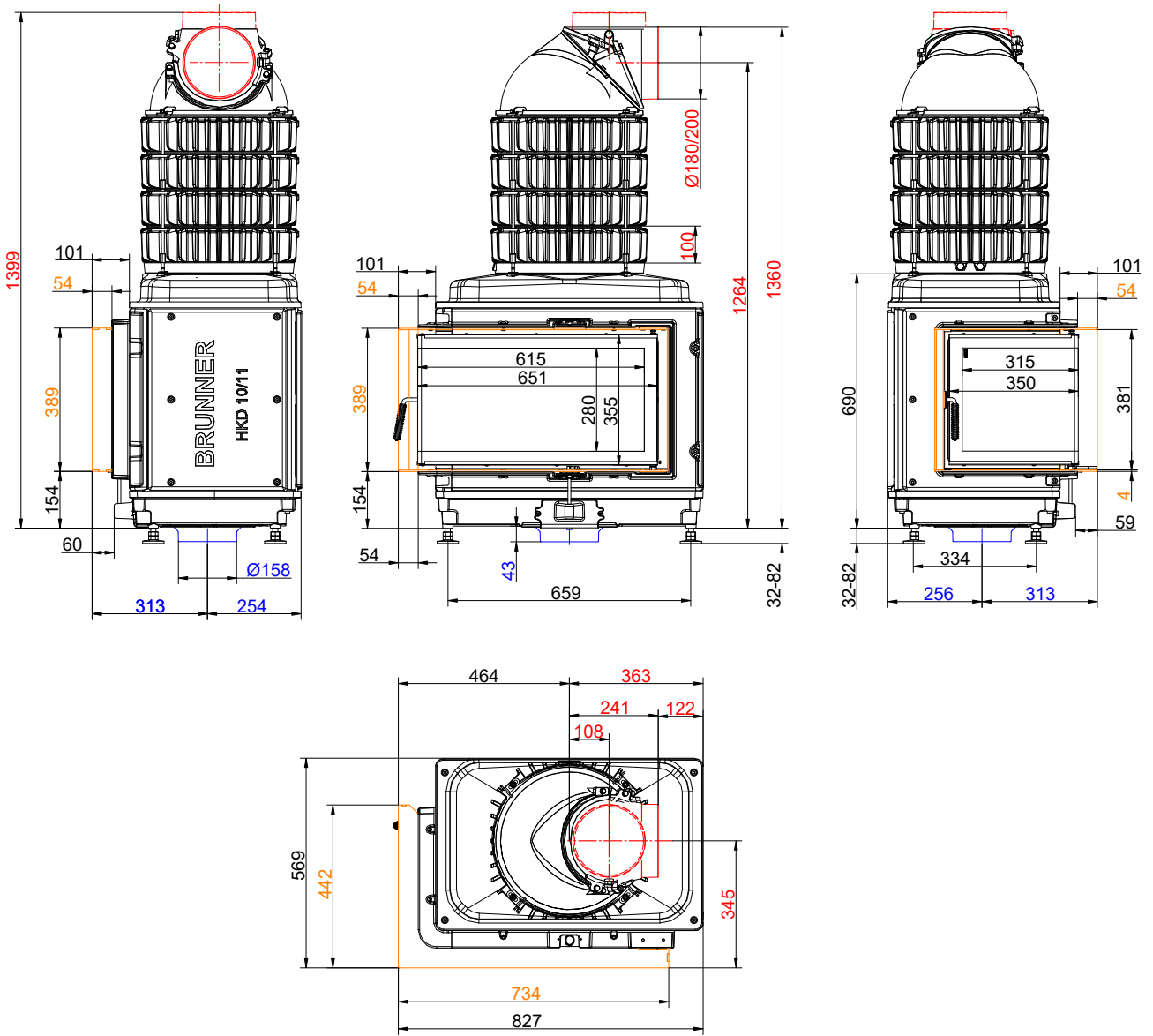
... left with MAS accumulator, door frame

# Dimension sheets - HKD 11



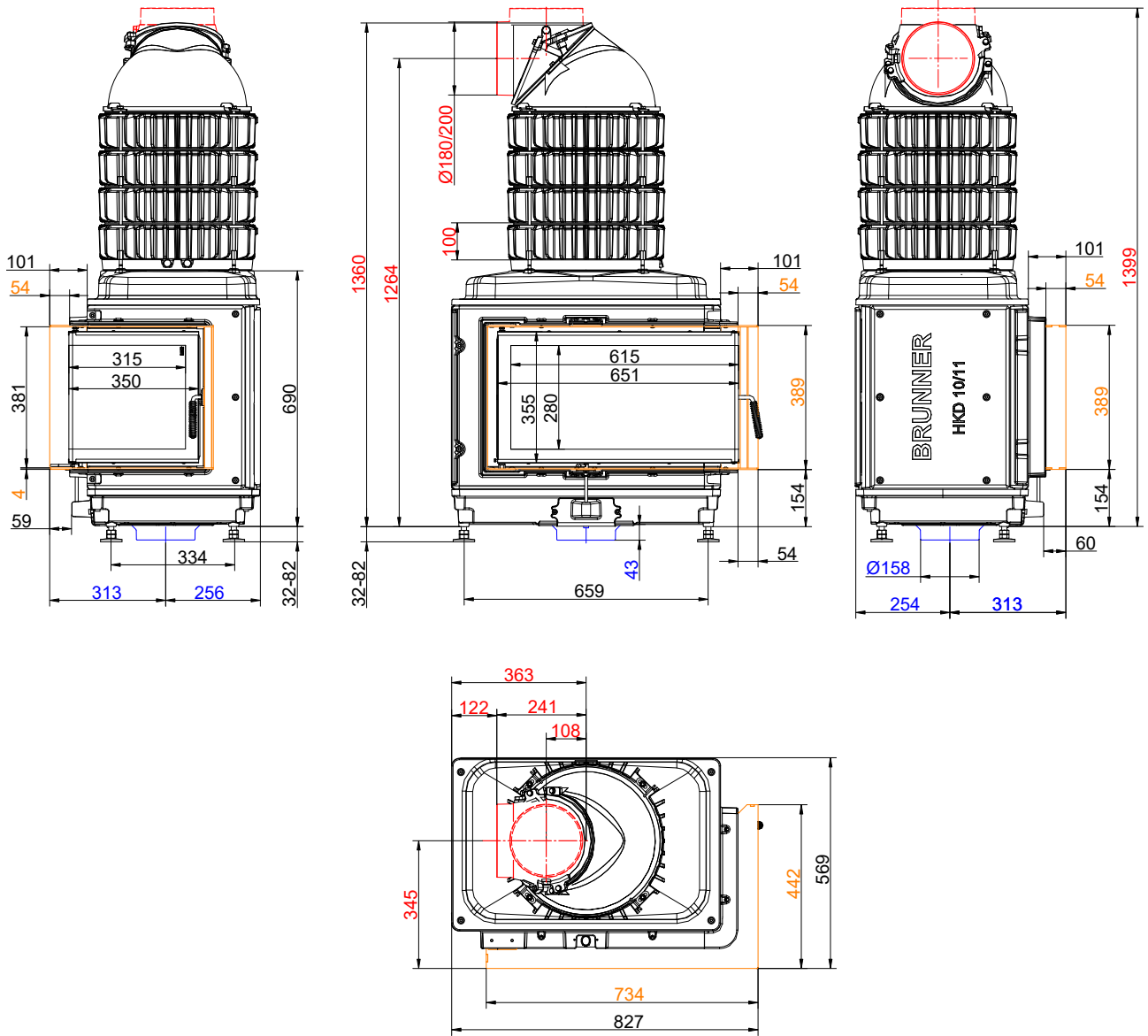
... right with MAS accumulator, door frame

# Dimension sheets - HKD 11



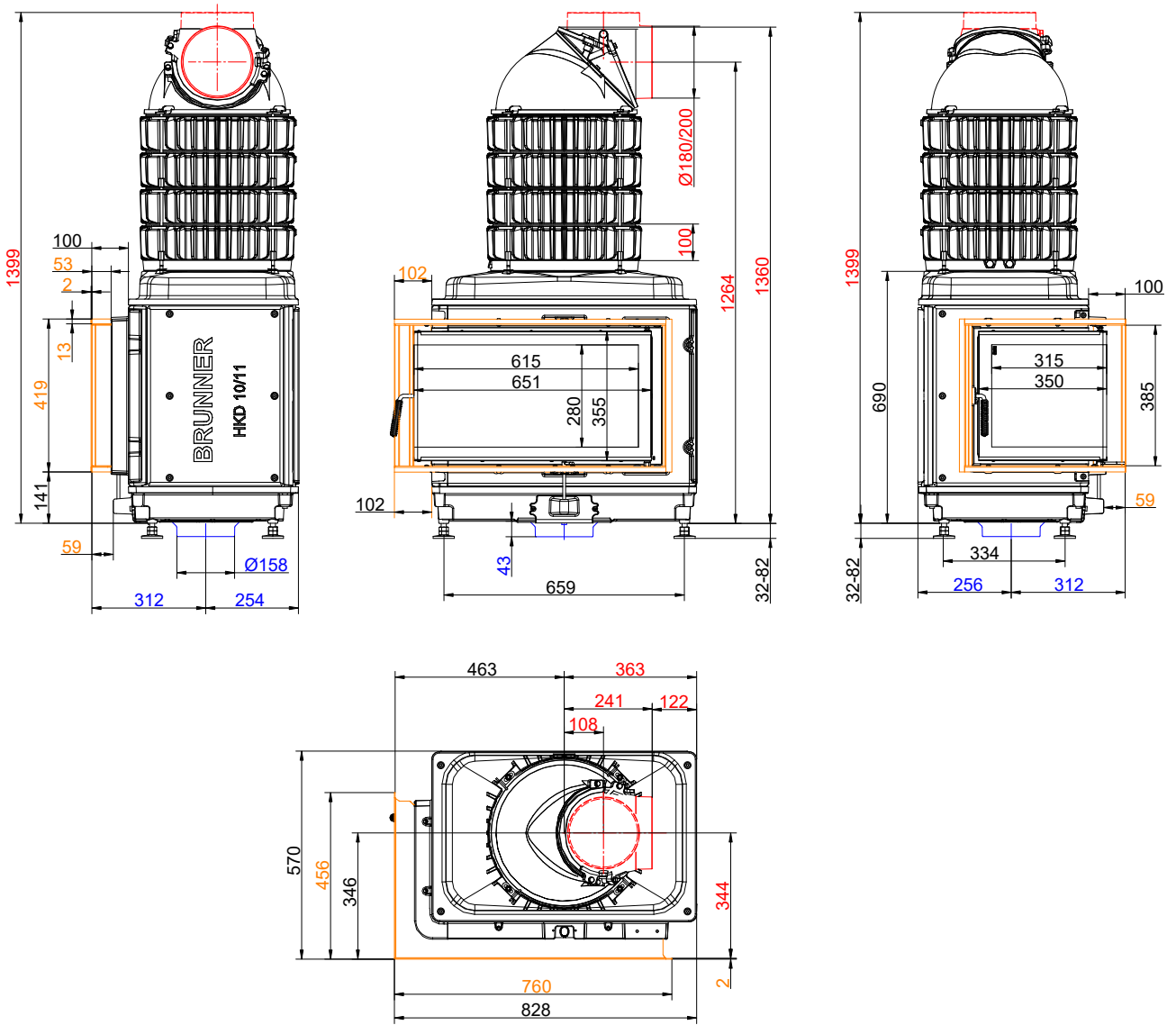
... left with mounting frame and cast iron heat exchanger rings + dome

# Dimension sheets - HKD 11



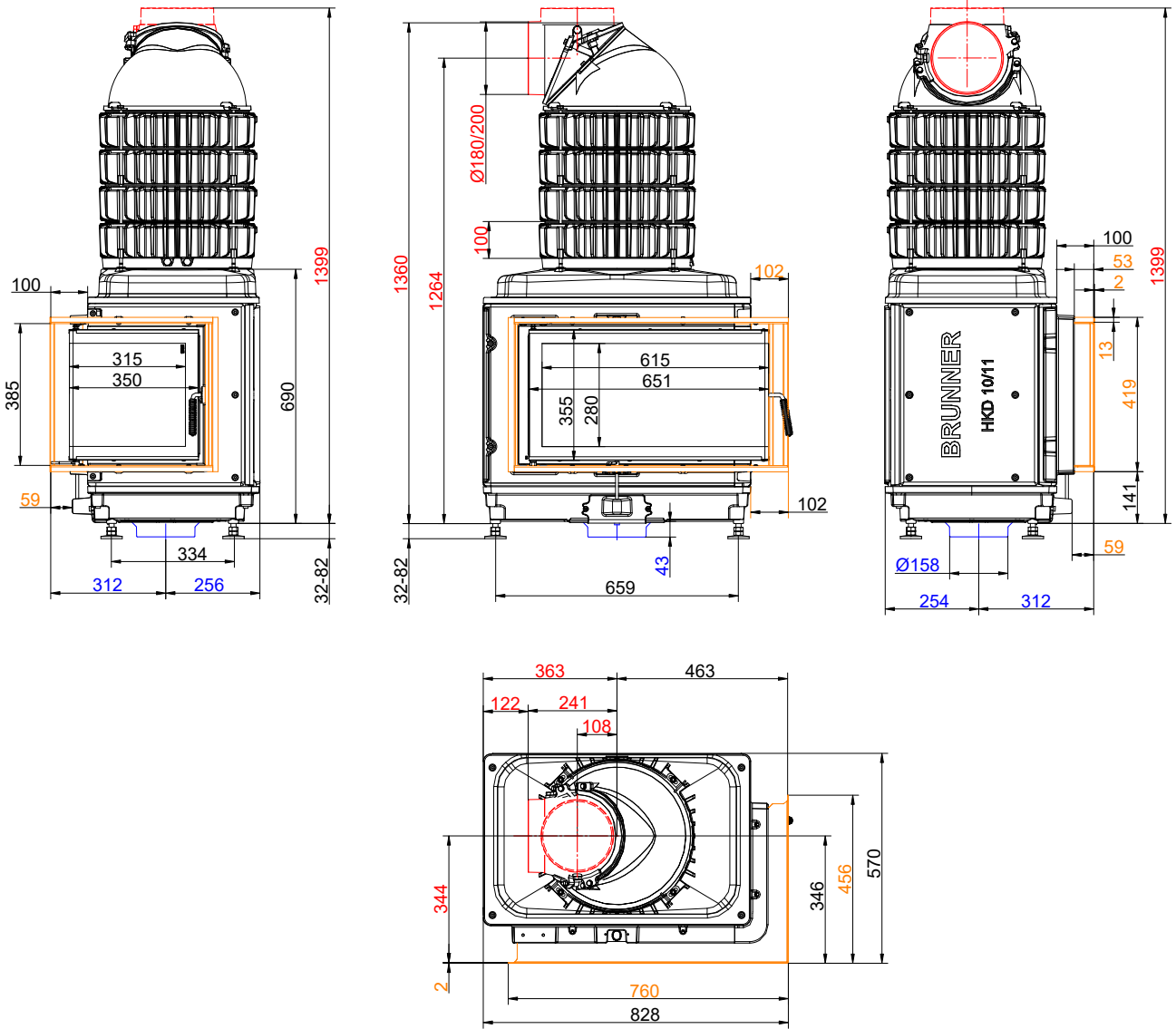
... right with mounting frame and cast iron heat exchanger rings + dome

# Dimension sheets - HKD 11

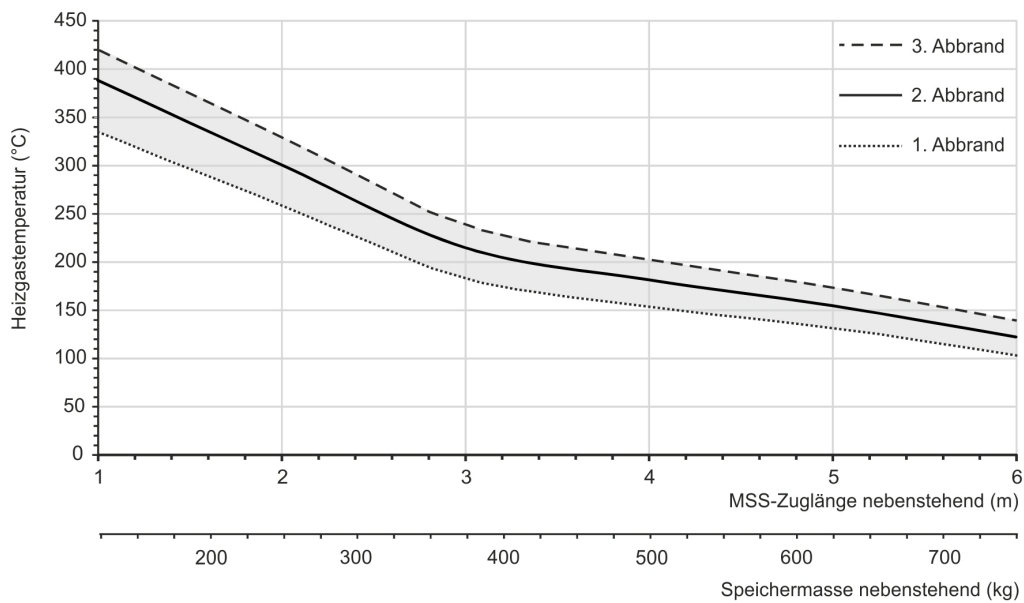


... left with door frame and cast iron heat exchanger rings + dome

# Dimension sheets - HKD 11



... right with door frame and cast iron heat exchanger rings + dome



Design characteristics for adjacent storage mass

## Dimension sheets - HKD 11

We suggest for CAD planning Palette CAD. Permanent updated drawings: [www.brunner.de](http://www.brunner.de)

Frames/ flue gas outlet connection/ combustion air supply connection/ front variants/ support bearing are marked in color.

# Planning and installation - HKD 11

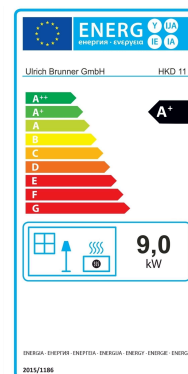
Tested according to		EN 13229 W	EN 13229 WA
Values measured at		Rated power <sup>1)</sup>	Storage operation <sup>2)</sup>
Suitable for all construction types according to rules		OK	OK
<b>Data for functional demonstration</b>			
Rated heat power	kW	9	-
Fire wood volume	kg/h	2.7	4.5
Combustion performance	kW	11.0	19.0
Flue gas mass flow	g/s	11.0	17.0
Outlet temperature (before reheating surface)	°C	430	490
Flue gas temperature after:			
1 x adjoining cast iron radiator (GNF 8/10)	°C	165	190
7 x accumulation rings incl. MAS casted cover <sup>3)</sup>	°C	220	-
4,9 m ceramic accumulator <sup>4)</sup>	°C	-	180
3,4 m accumulation stones (MSS) <sup>4)</sup>	°C	-	190
Necessary supply pressure	Pa	12	15
Combustion air consumption	m <sup>3</sup> /h	28	43
Combustion air connection Ø	mm	125 / 160	125 / 160
<b>Heating gas temperature (before the hood/dome variant)</b>			
cast iron dome	°C	430	490
<b>Heat distribution</b>			
Insert / reheating surface	%	40 / 40	40 / 40
Glass pane (single / double)	%	20 / -	20 / -
<b>Cross-section of gratings <sup>5)</sup></b>			
Convection air	cm <sup>2</sup>	700 / 300 / 500	700 / 300 / 500
Convection air	cm <sup>2</sup>	700 / 300 / 500	700 / 300 / 500
<b>Minimal distances of the fireplace</b>			
to cladding, insulation layer	cm	8	8
to mounting floor	cm	15	15
<b>Thermal insulation without / with air gratings <sup>6)</sup></b>			
Mounting wall	cm	12 / 10	12 / 10
Floor	cm	0	0
Ceiling	cm	22 / 16	22 / 16
Brick lining for combustible wall	cm	10	10
<b>Weight</b>			
Fireplace / combustion chamber	kg	208 / 61	
<b>Meets requirement/limit values for:</b>			
Germany/ Austria / Switzerland / Norway		1.BImSchV (Stufe 2) / 15a BVG (2015) / LRV / -	

- 1) Indications to "Rated power" determined with metallic reheating surface
- 2) Indications to "Storage operation" for the manual execution of the reheating surface (guide values).
- 3) Damper flap recommended
- 4) Approximate value. Determination according to design characteristics for adjacent storage mass or proof of function provided by calculation
- 5) for fireplace inserts / flue gas pipe / metallic reheating surface
- 6) Values determined with upper air cross- sections; stove cladding is heat emitting



**Product data sheet according to (EU) 2015/1186:**

Supplier's name or trademark	Ulrich Brunner GmbH
Model identifier:	HKD 11
Energy efficiency class:	A+
Direct heat output:	9,0 kW
Indirect heat output:	N.A. kW
Energy efficiency index:	109
Fuel energy efficiency (at nominal heat output):	82,0 %
Fuel energy efficiency (at minimum load):	N.A. %
Special precautions: see supplied product documentation	



Ulrich Brunner GmbH  
Zellhuber Ring 17-18  
D-84307 Eggenfelden  
Tel.: +49 (0) 8721/771-0 / Fax: +49 (0) 8721/771-100  
Email: info@brunner.de

Technical and assortment changes as well as errors and misprints reserved.  
Reprinting and reproduction, even in part, only with the express permission of the publisher.

**Art.Nr.: 200563**